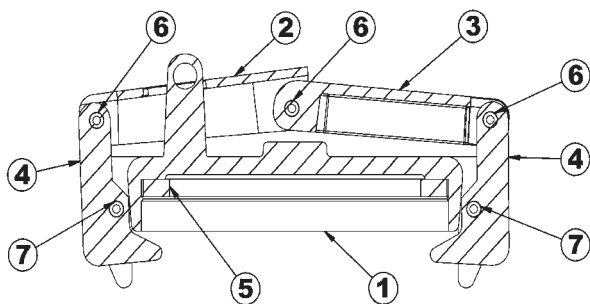


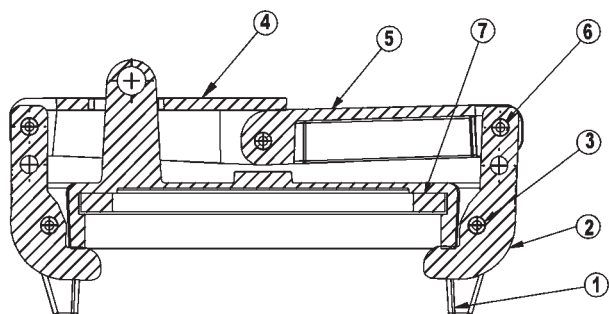
SA4050AL Caps



Bill of Materials

Item #	Description	Part #	Qty
1	cap body	---	1
2	top large lever	4050AL	1
3	minor lever	4062AL	1
4	cam arm	4063	2
5	gasket	400-G-BU	1
6	lever pin	4066	3
7	cam arm pin	4068	2

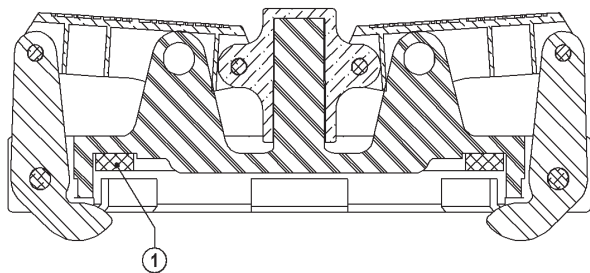
4" Vapor Caps VR4050AL



Bill of Materials

Item #	Description	Part #	Qty
1	cap body	---	1
2	cam arm	VR4075	2
3	arm pin	4068	2
4	top large lever	340354	1
5	minor lever	VR4076	1
6	lever pin	4066	3
7	Buna gasket	400-G-BU	1

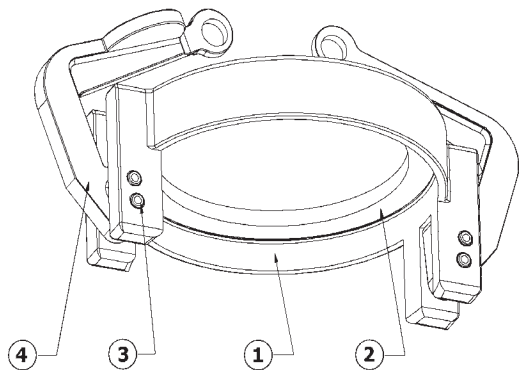
VR4050PL Series 4" Nylon Vapor Caps



Bill of Materials

Item #	Description	Part #	Qty
1	gasket	VR4050PLRK1	1

TL4070BZ Series Bronze Caps



Bill of Materials

Item #	Description	Part #	Qty
1	cap body	---	1
2	Buna gasket	400-G-BU	1
3	arm pin	4068	4
4	arm (lever)	4071	2

Product instruction sheets and technical data can be viewed on our website at dixongroupcanada.com by selecting the 'Resources' menu.