

Straub Open-Flex 1L Couplings

Technical Information



The Right Connection®

Applications

Straub Open-Flex 1L coupling's unique wrap-around design differs from similar type repair products because the installation or repair is permanent due to the unique flexible lip seal gasket design. Open-Flex couplings will also act as an expansion joint. Straub Open-Flex couplings do require the pipes to be properly anchored and restrained as they are not pull-out resistant like the Straub Grip-L couplings. Use Straub Open-Flex couplings to replace bolted sleeve type couplings (AWWA Std. C-227-22) or for permanent repairs or installation.

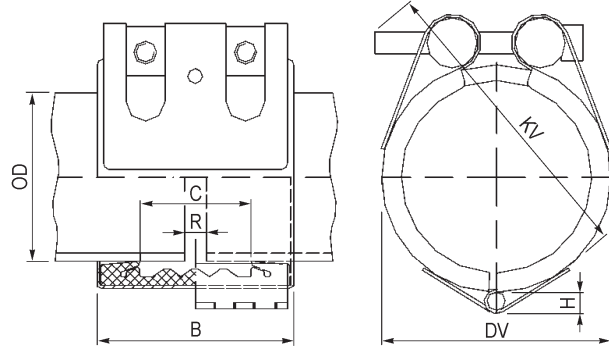
Features

- Casing: AISI 316Ti
- Screws: AISI 4135 steel
- Bolts: AISI 12L 14 galvanized
- EPDM sealing sleeve: temperature range - 4°F to 212°F*

Specification

- National Sanitation Foundation (NSF)

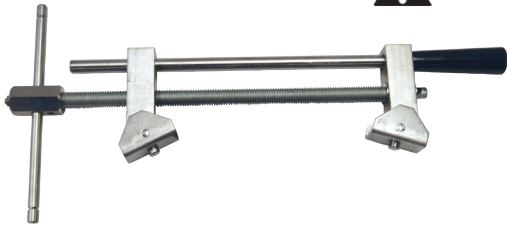
* Maximum temperature limit is 212°F (100°C) with EPDM gasket material. Higher temperature limits may be allowed subject to specific factory approval. For specific chemical recommendations, please contact Dixon®



Size	Pipe O.D. Range		Working Pressure PSI	Coupling Dimensions		Assembled Dimensions	Maximum Distance Between Pipe End R	316 Ti Stainless Steel Part #
	actual	min to max		B	C	DV		
1-1/2"	1.90"	1.85" to 1.95"	363	3.0"	1.4"	2.8"	.20"	STR35001
2"	2.38"	2.32" to 2.42"	232	3.0"	1.4"	3.2"	.20"	STR35151
2-1/2"	2.88"	2.81" to 2.93"	232	3.0"	1.4"	3.2"	.20"	STR35201
3"	3.50"	3.44" to 3.56"	232	3.7"	2.0"	4.4"	.20"	STR35351
4"	4.50"	4.43" to 4.57"	232	3.7"	2.0"	5.4"	.20"	STR35651
5"	5.50"	5.45" to 5.57"	232	4.2"	2.4"	6.4"	.20"	STR35901
6"	6.63"	6.54" to 6.71"	232	4.2"	2.4"	7.5"	.20"	STR36051



NOTE: Not pull-out resistant. Ensure that pipes are properly anchored and supported.



Assembly Tool

Part #

STR6648

Dixon's couplings and retention devices are designed to work safely for their intended use. The selection of the proper hose, coupling and retention device, and the proper application of the coupling to the hose are of utmost importance.

Users must consider the size, temperature, application, media, pressure, and hose and coupling manufacturer's recommendations when selecting the proper hose assembly components. Dixon recommends that all hose assemblies be tested in accordance with the Association for Rubber Products Manufacturer's (ARPM) recommendations and be inspected regularly (before each use) to ensure that they are not damaged or have become loose. Visit ARPMINC.com for more information.

Where safety devices are integral to the coupling, they must be working and utilized. The use of supplementary safety devices such as safety clips or safety cables are recommended.

If any problem is detected, couplings must be removed from service immediately.

Dixon is available to consult, train, and recommend the proper selection and application of all fittings we sell. We strongly recommend that distributors and end users make use of Dixon's Testing and Recommendation Services. Call 877.963.4966 or click dixonvalve.com to learn more.

Dixon

1 Dixon Sq., Chestertown, MD 21620

ph: 877.963.4966 • fx: 800.283.4966

dixonvalve.com