

B5107-Series Butterfly Valve

Quarter turn valve is used to isolate and regulate the flow of fluid in processing pipelines They are found in the pharmaceutical, biochemical, cosmetic, food processing, beverage, and some dairy markets

Sizes

- 1/2", 3/4", 1", 1-1/2", 2", 2-1/2", 3", 4", 6", 8"

Certification/Compliance for rubber seats

- FDA: 21 CFR 177.2600
- 3A: sanitary standard 18-03 Class II (low fat) compliant
- United States Pharmacopeia (USP): 87 & 88 Class VI
- European Regulation: EC 1935/2004
- REACH: in accordance with EC 1907/2006
 - Does not contain any substances above 0.1% (w/w) from:
The Candidate List of Substances of Very High Concern, Annex XVII
- Animal derived ingredient free
- Phthalate free

Features

- Hex head body bolts eliminate cavities of socket head screw
- High performance seat design increases seal life
- Large disc stem decreases chance of stem deformation
- Large range of options for operating devices and accessories

Materials

- Product contact metal components: 316L forged stainless steel
- Non-product contact metal components: 304 stainless steel
- Product contact seals: EPDM, silicone, or FKM

Specifications

- Standard connections: clamp, weld
- Available optional connections:
 - Female I-line, male I-line, threaded bevel, plain bevel, Q-line, John Perry threaded
- Valve data
 - Maximum pressure:
 - 1/2" to 2": **140 PSI**
 - 2-1/2" to 3": **110 PSI**
 - 4": **85 PSI**
 - 6" to 8": **60 PSI**
 - Maximum product line pressure: 0.4" Hg vacuum (absolute) at **68°F (20°C)**
 - Maximum operating temperature: **200°F (93°C)**
 - Minimum operating temperature: **15°F (-9°C)**
 - Valve stem square size:
 - 1/2" to 4": 10mm
 - 6": 13mm
 - 8": 14mm
- Surface finish
 - Product contact metal components: ≤ 32 Ra (standard), 20 Ra, 15 Ra optional
 - Non-product contact metal components: ≤ 32 Ra
 - Seat lubricant: MOLYKOTE 111



B5107-Series Butterfly Valve - Manual Operating Device and Accessories

Pull Handle



Pull Handle with Limit Switch for Position Detection



Pull Handle with External Proximity Sensors for Position Detection (Lockout Capable)



Infinite Handle



Infinite Handle with Limit Switch for Position Detection



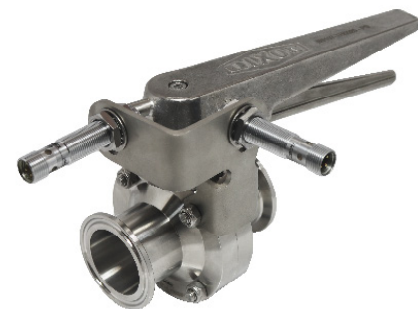
Infinite Handle with External Proximity Sensors for Position Detection (Lockout Capable)



Multiposition Trigger Handle (Lockout Capable)



Multiposition Trigger Handle with External Proximity Sensors for Position Detection (Lockout Capable)



Pull Handle Stem Extension



Infinite Handle Stem Extension



B5107-Series Butterfly Valve - Pneumatic & Electric Operating Devices and Accessories



Flow Coefficients (Cv)

(Based on water at 68°F)

Valve Size	Flow Coefficient (Cv)	Valve Size	Flow Coefficient (Cv)
1/2"	7	2-1/2"	264
3/4"	11	3"	372
1"	23	4"	800
1-1/2"	80	6"	1200
2"	230	8"	2800

Valve Break Torque

(Based on water at 68°F)

Valve Size	Break Torque (in-lbs.) Silicone	Break Torque (in-lbs.) EPDM	Break Torque (in-lbs.) FKM
1/2"	20	13	70
3/4"	20	13	70
1"	20	13	70
1-1/2"	35	20	125
2"	35	48	175
2-1/2"	133	98	220
3"	133	146	310
4"	266	341	450
6"	775	830	NA
8"	1106	1106	NA

B5107-Series Butterfly Valve - Pressure Drop Chart (PSI)

(Based on Water at 68°F)

Capacity (U.S.-GPM)	Valve Size									
	1/2"	3/4"	1"	1-1/2"	2"	2-1/2"	3"	4"	6"	8"
5	7	5								
10		2.5	0.2	0.0						
50			4.7	0.4						
90			15.3	1.3	0.2					
130				2.6	0.3	0.2				
170				4.5	0.5	0.4	0.2			
210				6.9	0.8	0.6	0.3			
250				9.8	1.2	0.9	0.5			
290					1.6	1.2	0.6			
330					2.1	1.6	0.8	0.2		
370					2.6	2.0	1.0	0.2		
410					3.2	2.4	1.2	0.3		
450					3.8	2.9	1.5	0.3		
490					4.5	3.4	1.7	0.4	0.2	
530						4.0	2.0	0.4	0.2	
570						4.7	2.3	0.5	0.2	
610						5.3	2.7	0.6	0.3	
650						6.1	3.1	0.7	0.3	
690						6.8	3.4	0.7	0.3	
730							3.9	0.8	0.4	
770							4.3	0.9	0.4	
810							4.7	1.0	0.5	
850							5.2	1.1	0.5	
890							5.7	1.2	0.6	
930							6.3	1.4	0.6	
970								1.5	0.7	
1010								1.6	0.7	
1050								1.7	0.8	
1090								1.9	0.8	0.2
1130								2.0	0.9	0.2
1170								2.1	1.0	0.2
1210								2.3	1.0	0.2
1250								2.4	1.1	0.2
1290								2.6	1.2	0.2
1330								2.8	1.2	0.2
1370								2.9	1.3	0.2
1410								3.1	1.4	0.3
1450								3.3	1.5	0.3
1490								3.5	1.5	0.3
1530								3.7	1.6	0.3
1570								3.9	1.7	0.3
1610								4.1	1.8	0.3
1650								4.3	1.9	0.3

$$\Delta P = \left[\frac{\text{GPM}}{C_v} \right]^2 G$$

B5107-Series Butterfly Valve - Part Number Key

B5107-Series Butterfly Valve Part Number Key Example: B5107E050CC-A__		Series	Seat Material	Size	Connection End	Connection End	*	Actuation	Control Unit/ Feedback	Finish Options
		B5107	E	050	C	C	-	A		
Series	Code									
B5107	B5107									
Seat Material	Code									
EPDM	E									
Silicone	S									
FKM (1/2" - 4")	V									
EPDM/PTFE	X									
FKM/PTFE (1/2" - 4")	Y									
Silicone/PTFE	Z									
Size	Code									
1/2"	050									
3/4"	075									
1"	100									
1-1/2"	150									
2"	200									
2-1/2"	250									
3"	300									
4"	400									
6"	600									
8"	800									
Connections (choose connection for each side)	Code									
Clamp (standard)	C									
Weld	B									
Female I-line	F									
Flange	K									
Male I-line	M									
Threaded bevel	T									
Plain bevel with nut	P									
Q-line	Q									
John Perry plain	J									
John Perry Threaded	H									
Female NPT	1									
Male NPT	2									
DIN male	3									
DIN weld liner/nut	4									
SMS male	5									
SMS welding liner	6									
Actuation	Code									
Manual handle - 4 position standard handle	A									
Manual handle - infinite position handle (1/2" - 4")	B									
Manual handle - 13 position trigger handle (1/2" - 4")	C									
Extended manual handle - 4 position standard handle	8									

*NOTE: Only use a dash (-) in the part number if using a manual handle with no options, otherwise dash is eliminated.

B5107-Series Butterfly Valve - Part Number Key

B5107-Series Butterfly Valve Part Number Key Example: B5107E050CC-A__		Series	Seat Material	Size	Connection End	Connection End	*	Actuation	Control Unit/ Feedback	Finish Options
		B5107	E	050	C	C	-	A		
Actuation (continued)	Code									
Extended manual handle-infinite position handle	9									
24VDC electric (power open/power close)	D									
110VAC electric (power open/power close)	E									
Normally open linear pneumatic vertical canister	F									
Normally closed linear pneumatic vertical canister	G									
Air to air linear pneumatic vertical canister	H									
Manual handle - lockout 4 position standard handle (6" and 8")	I									
Air to air pneumatic rack and pinion SS	J									
Normally closed pneumatic rack and pinion SS	K									
Normally open pneumatic rack and pinion SS	L									
Air to air pneumatic rack and pinion AL	M									
Normally closed pneumatic rack and pinion AL	N									
110VAC electric (2 extra switches, torque switches)	O									
Normally open pneumatic rack and pinion AL	P									
Normally closed, dead man handle	Q									
220VAC electric (power open/power close)	R									
Normally closed pneumatic rack and pinion AL (oversized)	S									
24VAC electric (power open/power close)	T									
110VAC electric (4-20mA input/output modulating controller)	U									
24VDC electric (4-20mA input/output modulating controller)	V									
24VDC electric (power open/power close, 2 extra switches)	W									
24VDC electric (4-20mA input/output modulating controller, oversized)	X									
24VDC electric (75% duty cycle, oversized)	Y									
Normally closed pneumatic rack and pinion TP	Z									
12VDC electric (power open/power close)	1									
110VAC electric (power open/power closed, undersized)	2									
Air to air pneumatic rack and pinion AL (oversized)	3									
Air to air pneumatic rack and pinion AL (double oversized)	4									
Normally closed pneumatic rack and pinion AL (double oversized)	5									
24VDC electric (4-20mA input/0-10V output modulating controller)	6									

B5107-Series Butterfly Valve - Part Number Key

B5107-Series Butterfly Valve Part Number Key Example: B5107E050CC-A__		Series	Seat Material	Size	Connection End	Connection End	* Actuation	Control Unit/ Feedback	Finish Options
		B5107	E	050	C	C	- A		
110VAC electric (power open/power close, 2 extra switches)	7								
Extended manual handle - 4 position standard handle (1/2" -4")	8								
Extended manual handle - infinite position handle (1/2" - 4")	9								
Control Unit/Feedback	Code								
None	blank								
Only available to be used with the following Actuation codes: A, B, C, F, G, H, 8, and 9									
10-30VDC 12mm external prox, PNP, open/close, (Qty 2), flying leads	01								
10-30 VDC 12mm external prox, NPN, open/close, (Qty 2), flying leads	02								
10-30VDC 12mm external prox, PNP, open, (Qty 1), flying leads	03								
10-30VDC 12mm external prox, PNP, close, (Qty 1), flying leads	04								
10-30VDC 12mm external prox, NPN, open, (Qty 1), flying leads	05								
10-30VDC 12mm external prox, PNP, open/close, (Qty 2), M12 quick disconnect	06								
10-30 VDC 12mm external prox, NPN, open/close, (Qty 2), M12 quick disconnect	07								
10-30VDC 12mm external prox, PNP, open, (Qty 1), M12 quick disconnect	08								
10-30VDC 12mm external prox, PNP, close, (Qty 1), M12 quick disconnect	09								
10-30 VDC 12mm external prox, NPN, open, (Qty 1), M12 quick disconnect	10								
Manual handle bracket for proximity sensor only	70								
Only available to be used with the following Actuation codes: F, G, & H									
Burkert 8691, single acting, DeviceNet, multipin	11								
Burkert 8691, single acting, AS-i, multipin	12								
Burkert 8691, single acting, 24VDC, multipin	13								
Burkert 8691, double acting, DeviceNet, multipin	14								
Burkert 8691, double acting, AS-i, multipin	15								
Burkert 8691, double acting, 24VDC, multipin	16								
Burkert 8691, without solenoid, 24VDC, multipin	17								
Aluminum prox ring with red poly tube indicator - discontinued Jan. 2022	47								
Burkert 8692 positioner, 24VDC, 4-20mA, multipin	18								
Burkert 8692 positioner, 24VDC, ATEX, multipin	62								
Burkert 8691, single acting, IO link, multipin	64								

B5107-Series Butterfly Valve - Part Number Key

B5107-Series Butterfly Valve Part Number Key Example: B5107E050CC-A__		Series	Seat Material	Size	Connection End	Connection End	*	Actuation	Control Unit/ Feedback	Finish Options
		B5107	E	050	C	C	-	A		
Burket 8681, 1 solenoid (single acting), 120 VAC, cable glands	68									
Burkert 8681, 2 solenoids (double acting), 120VAC, cable glands	69									
Only available to be used with the following actuation codes: A, J, K, L, M, N, & P										
limit switch box, OPEN/CLOSE beacon, (2) SPDT mech. switches	19									
Limit switch box, OPEN/CLOSE beacon, (2) proximity SPDT switches	20									
Limit switch box, OPEN/CLOSE beacon, AS-I interface	21									
Only available to be used with the following actuation codes: J, K, L, M, N, & P										
Rotary pneumatic positioner 3-15psi input, no feedback	22									
Rotary pneumatic positioner 3-15psi input, (2) SPDT mech. switches for feedback	23									
Rotary pneumatic positioner 3-15psi input, 4-20mA for feedback	24									
Rotary electropneumatic positioner 4-20mA input, no feedback	25									
Rotary electropneumatic positioner 4-20mA input, (2) SPDT mech. switches for feedback	26									
Rotary electropneumatic positioner 4-20mA input, 4-20mA for feedback	27									
Rotary Electropneumatic Positioner 0-10v input, no Feedback	28									
Rotary electropneumatic positioner 0-10v input, (2) SPDT mech. switches for feedback	29									
Rotary electropneumatic positioner 0-10v input, 4-20mA for feedback	30									
Single coil solenoid, 12VDC	31									
Single coil solenoid, 24VDC	32									
Single coil solenoid, 24VAC	33									
Single coil solenoid, 110VAC	34									
Single coil solenoid, 220VAC	35									
Single coil solenoid, 12VDC + option 19 limit switch	36									
Single coil solenoid, 12VDC + option 20 limit switch	37									
Single coil solenoid, 24VDC + option 19 limit switch	38									
Single coil solenoid, 24VDC + option 20 limit switch	39									
Single coil solenoid, 24VAC + option 19 limit switch	40									
Single coil solenoid, 24VAC + option 20 limit switch	41									
Single coil solenoid, 110VAC + option 19 limit switch	42									
Single coil solenoid, 110VAC + option 20 limit switch	43									

B5107-Series Butterfly Valve - Part Number Key

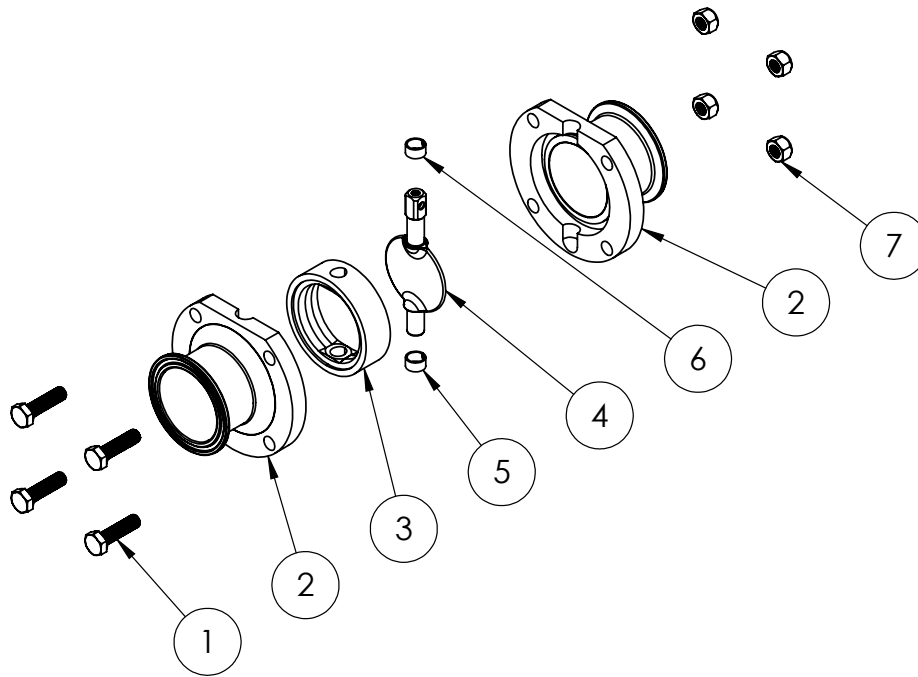
B5107-Series Butterfly Valve Part Number Key Example: B5107E050CC-A__		Series	Seat Material	Size	Connection End	Connection End	* Actuation	Control Unit/ Feedback	Finish Options
		B5107	E	050	C	C	-	A	
Single coil solenoid, 220VAC + option 19 limit switch	44								
Single coil solenoid, 220VAC + option 20 limit switch	45								
Limit switch box with integral solenoid, AS-i, 24VDC	46								
Aluminum prox ring with red poly tube indicator - discontinued Jan. 2022	47								
Rotary electropneumatic positioner 4-20mA input, no feedback, explosion proof	48								
V200 rotary electropneumatic positioner 4-20mA input, 4-20mA feedback	49								
Limit switch box, OPEN/CLOSE beacon, (2) proximity SPDT switches, explosion proof	50								
Single coil solenoid, 12VDC + option 19 limit switch+ pre-wired	51								
Single coil solenoid, 12VDC + option 20 limit switch+ pre-wired	52								
Single coil solenoid, 24VDC + option 19 limit switch+ pre-wired	53								
Single coil solenoid, 24VDC + option 20 limit switch+ pre-wired	54								
Single coil solenoid, 24VAC + option 19 limit switch+ pre-wired	55								
Single coil solenoid, 24VAC + option 20 limit switch+ pre-wired	56								
Single coil solenoid, 110VAC + option 19 limit switch+ pre-wired	57								
Single coil solenoid, 110VAC + option 20 limit switch+ pre-wired	58								
Single coil solenoid, 220VAC + option 19 limit switch+ pre-wired	59								
Single coil solenoid, 220VAC + option 20 limit switch+ pre-wired	60								
Mount actuator rotated 90 degrees	61								
Limit switch box, OPEN/CLOSE beacon, (2) proximity SPDT switches, 24VDC single coil solenoid, explosion proof	63								
Limit switch box, OPEN/CLOSE beacon, (2) mechanical SPDT switches, explosion proof	65								
Single coil solenoid, SS, 24VDC + SS limit switch box, OPEN/CLOSE beacon, (2) proximity SPDT switches	66								
3D beacon low profile visual indicator + option 01 external prox sensor	67								
Finish Options	Code								
32 Ra mechanical (standard)	blank								
25Ra mechanical finish	B								
20 Ra mechanical finish	C								
15 Ra electropolish	D								
32 Ra mech. w/ customer specified I.D. marking	E								
25 Ra mech. w/ customer specified I.D. marking	F								
20 Ra mech. w/ customer specified I.D. marking	G								
15 Ra electropolish w/ customer specified I.D. marking	H								

B5107-Series Butterfly Valve - Proximity Sensor Bracket Kit Part Number Table

Part #	Description	Contains ¹
Kit with Handle		
B5107-SH-5025PB	1/2" - 2-1/2" pull handle with proximity bracket	2, 11
B5107-SH-3040PB	3" - 4" pull handle with proximity bracket	
B5107-SH-5025PB8	1/2" - 2-1/2" pull handle with proximity bracket and M8 bushings	2, 11, 13
B5107-SH-3040PB8	3" - 4" pull handle with proximity bracket and M8 bushings	
B5107-ES-5025PB	1/2" - 2-1/2" extended pull handle with proximity bracket	2A, 11
B5107-ES-3040PB	3" - 4" extended pull handle with proximity bracket	
B5107-ES-5025PB8	1/2" - 2-1/2" extended pull handle with proximity bracket and M8 bushings	2A, 11, 13
B5107-ES-3040PB8	3" - 4" extended pull handle with proximity bracket and M8 bushings	
B5107-IH-5025PB	1/2" - 2-1/2" infinite handle with proximity bracket	3, 11
B5107-IH-3040PB	3" - 4" infinite handle with proximity bracket	
B5107-IH-5025PB8	1/2" - 2-1/2" infinite handle with proximity bracket and M8 bushings	3, 11, 13
B5107-IH-3040PB8	3" - 4" infinite handle with proximity bracket and M8 bushings	
B5107-EI-5025PB	1/2" - 2-1/2" extended infinite handle with proximity bracket	3A, 11
B5107-EI-3040PB	3" - 4" extended infinite handle with proximity bracket	
B5107-EI-5025PB8	1/2" - 2-1/2" extended handle with proximity bracket and M8 bushings	3A, 11, 13
B5107-EI-3040PB8	3" - 4" extended infinite handle with proximity bracket and M8 bushings	
Kit without Handle		
B5107-PB-B	proximity bracket bushings	13
B5107-PB-5025	proximity bracket for 1/2" - 2-1/2" handle	11
B5107-PB-3040	proximity bracket for 3" - 4" handle	
B5107-PB-5025B	proximity bracket for 1/2" - 2-1/2" handle with M8 bushings	11, 13
B5107-PB-3040B	proximity bracket for 3" - 4" handle with M8 bushings	

¹Items referred to are in the manual handle bill of materials.

B5107-Series Butterfly Valve Body - Bill of Materials



Item #	Description	Part #					Material	Qty
		1/2"	3/4"	1"	1-1/2"	2"		
1	body bolt	M6x1x30				M8x1.25x30	18-8	4
2	clamp body half ¹	B5107-HSG50	B5107-HSG75	B5107-HSG10	B5107-HSG15	B5107-HSG20	316L	2
3	valve seat	see repair kits					-	1
4	disc	B5107-DSC5010			B5107-DSC15	B5107-DSC20	316L	1
5	lower bushing ²	-					polyacetal	1
6	upper bushing ²	-					polyacetal	1
7	body nut	M6x1 nylock				M8x1.25 nylock	18-8	4

Item #	Description	Part #					Material	Qty
		2-1/2"	3"	4"	6"	8"		
1	body bolt	M8x1.25x30	M8x1.25x40			M10x1.5x45	18-8	4 ³
2	clamp body half ¹	B5107-HSG25	B5107-HSG30	B5107-HSG40	B5107-HSG60	B5107-HSG800	316L	2
3	valve seat	see repair kits					-	1
4	disc	B5107-DSC25	B5107-DSC30	B5107-DSC40	B5107-DSC60	B5107-DSC800	316L	1
5	lower bushing ²	-					polyacetal	1
6	upper bushing ²	-					polyacetal	1
7	body nut	M8x1.25 nylock				M10x1.5 nylock	18-8	4 ³

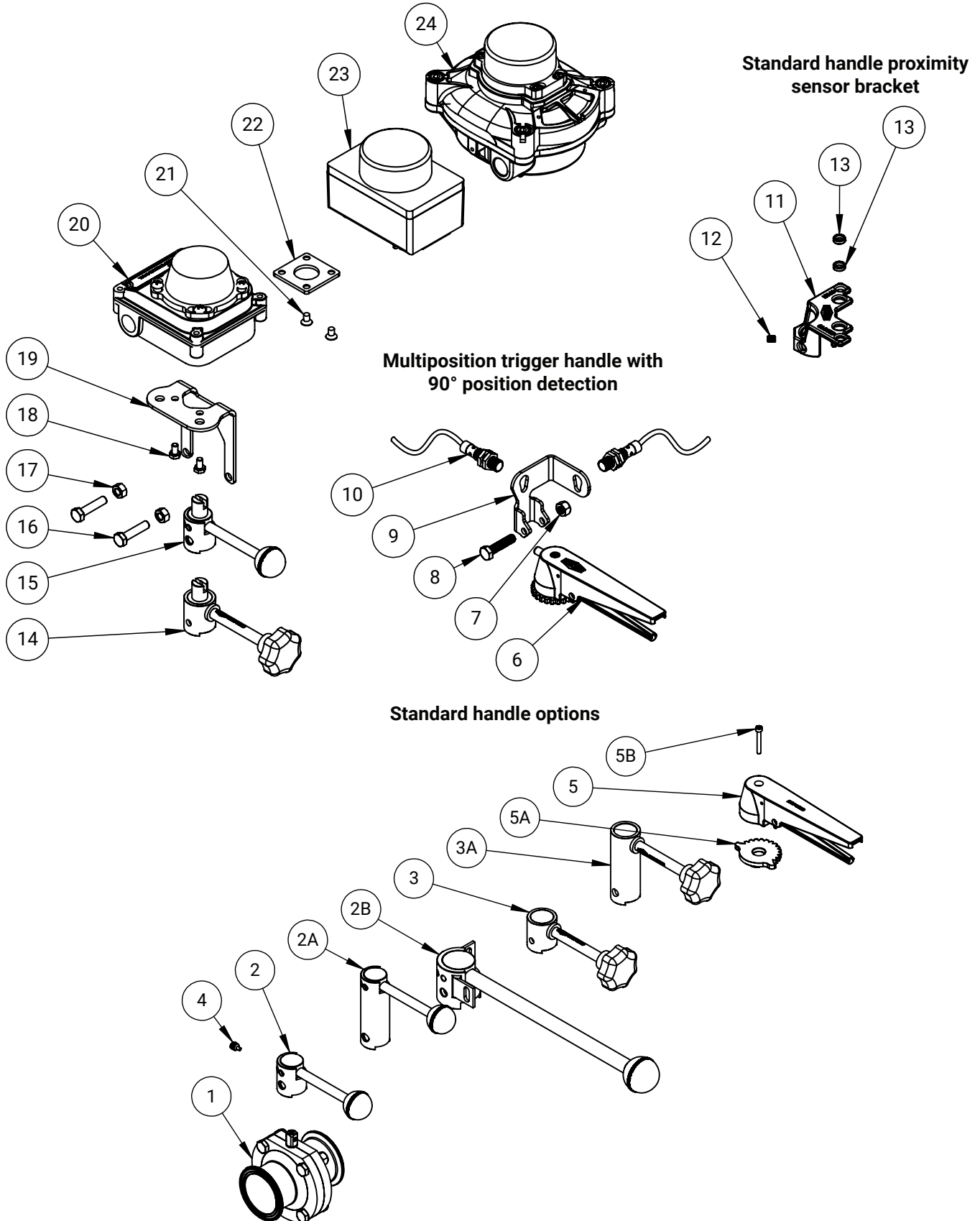
¹Other connection ends available, see connection code identifier in part number key (ex: 2" flange connection: B5107-HSG20K).

²Upper and lower bushings are included in the seat repair kit. Cannot be purchased sererately.

³4" and 8" valves have a qty 6 bolts and nuts. 6" valve has a qty 8 bolts and nuts.

B5107-Series Butterfly Valve Manual Options - Bill of Materials

Standard and Infinite Handle with Position Detection



B5107-Series Butterfly Valve Manual Options - Bill of Materials

Item #	Description	Part #					Material	Qty
		1/2"	3/4"	1"	1-1/2"	2"		
1	valve	B5107_050_	B5107_075_	B5107_100_	B5107_150_	B5107_200_	see valve BOM	1
2	pull handle	B5107-SH5025					304	1
2A	extended pull handle	B5107-SH5025E					304	1
3	infinite handle	B5107-IH5025					304	1
3A	extended infinite handle	B5107-IH5025E					304	1
4	item no. 2, 2A, 3, 3A handle set screw	B5107-IHSH-SSLP					304	1
5	trigger handle	B5107-TH5025					304	1
5A	180° sprocket ²						304	1
5B	M5x30mm socket cap bolt ²						304	1
6	proximity sensor trigger handle	B5107-TH5025-PS					304	1
7	body nut	M6x1 nylock			M8x1.25 nylock		18-8	1
8	valve/bracket bolt	M6x1x35mm hex head bolt			M8x1.25x35mm hex head bolt		18-8	1
9	external proximity bracket	B5107-B1015-MPD					304	1
10	proximity sensor	see DW-series Proximity Sensors EPRG					-	-
11	proximity sensor bracket ¹	B5107-PB-5025					CF8	1
12	M6x8mm set screw						304	1
13	M12 to M8 bushings	B5107-PB-B					PTFE	2
14	infinite handle for position detection	B5107-IH5025-L					304	1
15	pull handle for position detection	B5107-SH5025-L					304	1
16	valve/bracket bolt	M6x1x35mm hex head bolt			M8x1.25x35mm hex head bolt		18-8	2
17	body nut	M6x1 nylock			M8x1.25 nylock		18-8	2
18	item no. 20 limit switch bracket bolt	M6x1x10mm hex head bolt					18-8	2
	item no. 23 and 24 limit switch bracket bolt	M6x1x16mm hex head bolt					18-8	2
19	limit switch bracket	B5107-LSB-5015			B5107-LSB-2025		304	1
20	XLS-B4-series limit switch	see Limit Switches EPRG					-	1
21	spacer bolts	M6x1x12mm countersunk screw					18-8	2
22	spacer	B5107-LSB-SP					304	1
23	XLS-C4-series limit switch	see Limit Switches EPRG					-	1
24	XLS-C7-series limit switch						-	1

¹Used with actuation codes A, B, 8, and 9 only.

²Included with the trigger handle.

B5107-Series Butterfly Valve Manual Options - Bill of Materials

Item #	Description	Part #					Material	Qty
		2-1/2"	3"	4"	6"	8"		
1	valve	B5107_250_	B5107_300_	B5107_400_	B5107_600_	B5107_800_	see valve BOM	1
2	pull handle	B5107-SH5025	B5107-SH3040		B5107-SH60	B5107-SH800	304	1
2A	extended pull handle	B5107-SH5025E	B5107-SH3040E		-		304	1
2B	lockout pull handle		-		B5107-LSH600	B5107-LSH800	304	1
3	infinite handle	B5107-IH5025	B5107-IH3040		B5107-IH60	B5107-IH800	304	1
3A	extended infinite handle	B5107-IH5025E	B5107-IH3040E		-		304	1
4	item no. 2, 2A, 3, 3A handle set screw	B5107-IHSH-SSLP					304	1
5	trigger handle						304	1
5A	180° sprocket ²	B5107-TH5025	B5107-TH3040				304	1
5B	M5x30mm socket cap bolt ²							304
6	proximity sensor trigger handle	B5107-TH5025-PS	B5107-TH3040-PS				304	1
7	body nut	M6x1 nylock					18-8	1
8	valve/bracket bolt	M8x1.25x35mm hex head bolt	M8x1.25x45mm hex head bolt				18-8	1
9	external proximity bracket	B5107-B1015-MPD	B5107-B3040-MPD				304	1
10	proximity sensor	see DW-series Proximity Sensors EPRG					-	-
11	proximity sensor bracket ¹	B5107-PB-5025	B5107-PB-3040				CF8	1
12	M6x8mm set screw							304
13	M12 to M8 bushings	B5107-PB-B					PTFE	2
14	infinite handle for position detection	B5107-IH5025-L	B5107-IH3040-L				304	1
15	pull handle for position detection	B5107-SH5025-L	B5107-SH3040-L				304	1
16	valve/bracket bolt	M8x1.25x35mm hex head bolt	M8x1.25x45mm hex head bolt				18-8	2
17	body nut	M8x1.25 nylock	M8x1.25 nylock				18-8	2
18	item no. 20 limit switch bracket bolt	M6x1x10mm hex head bolt					18-8	2
	item no. 23 and 24 limit switch bracket bolt	M6x1x16mm hex head bolt					18-8	2
19	limit switch bracket	B5107-LSB-5015	B5107-LSB-3040				304	1
20	XLS-B4-series limit switch	see Limit Switch EPRG					-	1
21	spacer bolts	M6x1x12mm countersunk screw					18-8	2
22	spacer	B5107-LSB-SP					304	1
23	XLS-C4-series limit switch	see Limit Switch EPRG					-	1
24	XLS-C7-series limit switch	see Limit Switch EPRG					-	1

¹Used with actuation codes A, B, 8, and 9 only.

²Included with the trigger handle.

B5107-Series Butterfly Valve Manual Options - Bill of Materials

Part Number Key Code Identifier

Item #	Description	Part # Key Code Identifier	Part # Key Code ²
1	valve	-	-
2	pull handle	Actuation	A
2A	extended pull handle		8
2B	lockout pull handle		I
3	infinte handle		B
3A	extended infinte handle		9
4	item no. 2, 2A, 3, 3A handle set screw		-
5	trigger handle		C
5A	180° sprocket ³		
5B	M5x30mm socket cap bolt ³		
6	proximity sensor trigger handle		
7	body nut	Control Unit/Feedback	01-10, 70
8	valve/bracket bolt		
9	external proximity bracket		
10	proximity sensor	Control Unit/Feedback	01-10, 70
11	proximity sensor bracket ¹		
12	M6x8mm set screw		
13	M12 to M8 bushing		
14	infinite handle for position detection	Actuation	B
15	pull handle for position detection		A
16	valve/bracket bolt	-	-
17	body nut	-	-
18	item no. 20 limit switch bracket bolt	-	-
	item no. 23 and 24 limit switch bracket bolt	-	-
19	limit switch bracket	-	-
20	XLS-B4-series limit switch	Control Unit/Feedback	19
21	spacer bolts	-	-
22	spacer	-	-
23	XLS-C4-series limit switch	Control Unit/Feedback	20, 21, 46
24	XLS-C7-series limit switch		50, 63, 65

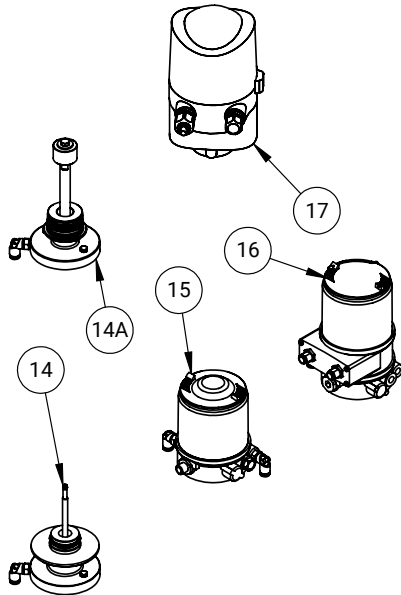
¹Used with Actuation codes A, B, 8, and 9 only.

²Code shown is based off single option selection, see part number key for combination codes.

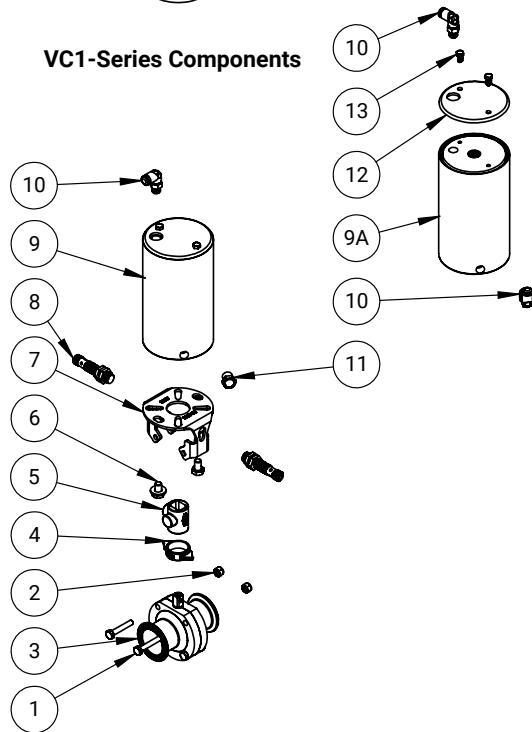
B5107-Series Butterfly Valve Actuated Options - Bill of Materials

VC1-Series Vertical Canister Actuator

Control Top Options

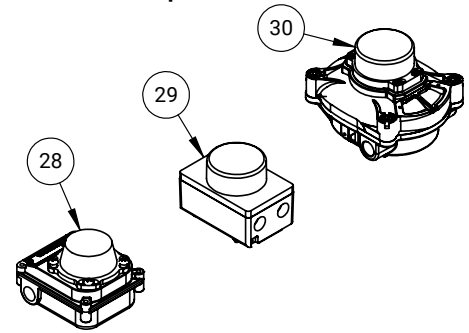


VC1-Series Components

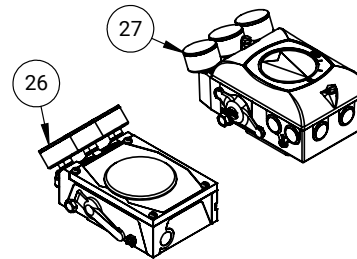


RP-BA, RP-BS, BEO, and BX-Series Actuators

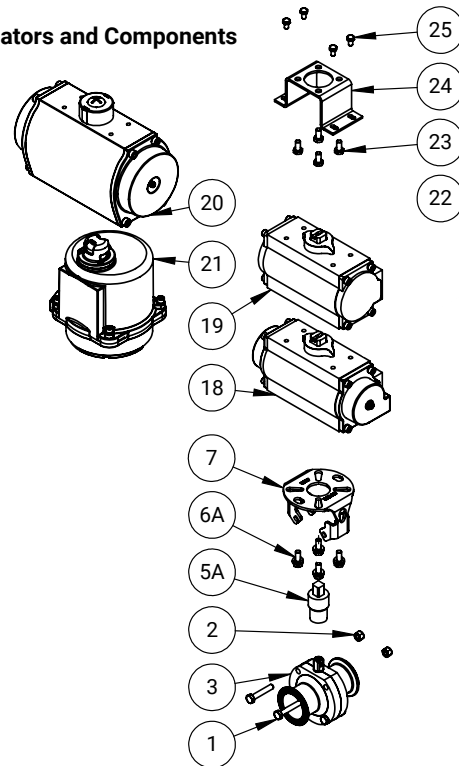
Limit Switch Options



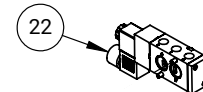
Positioner Options



Actuators and Components



Solenoid Options



B5107-Series Butterfly Valve Actuated Options - Bill of Materials

Item #	Description	Part Number					Material	Qty
		1/2"	3/4"	1"	1-1/2"	2"		
1	actuated body bolt	M6x1x35mm hex head bolt				M8x1.25x35mm hex head bolt	18-8	2
2	body nut	M6x1 nylock nut				M8x1.25 nylock nut	18-8	2
3	valve	B5107_050_	B5107_075_	B5107_100_	B5107_150_	B5107_200_	see valve BOM	1
4	indicator	XB51-P-N					polyethylene	1
5	VC1-series coupler	XB51-CPB-NB					CF8	1
5A	coupler ¹	XB51 coupler is dependent on actuator selected based on actuator code and seat material					304	1
6	VC1 actuator bolt and lock washer	M8x1.25x12mm hex head bolt, M8x1.25 lock washer					18-8	2
6A	pneumatic/electric actuator bolt	mounting bolt is dependent on actuator selected based on actuator code and seat material					18-8	4
7	actuator bracket	B5107-B100-150			B5107-B200-250		304	1
8	external proximity sensors	see DW-series Proximity Sensors EPRG					-	-
9	VC1-series spring return actuator canister	VC1SR					304	1
9A	VC1-series double acting actuator canister	VC1DA					304	1
10	canister top cap	VC1-7					304	1
11	air fitting	407322					-	-
12	air filter	VC-NR-AF					-	-
13	top cap bolts	M5x0.8x10mm hex head bolt					18-8	2
14	Burkert 8691/8692 adapter kit	adapter and detection shaft: VC1-BA, VC1-DS, O-rings: (2) VC1-BA-OR1, VC1-BA-OR2, adapter hardware: 407322, (2) M5x0.8x20mm hex head bolts					-	1
14A	Burkert 8682 adapter kit	adapter: VC1-BA2, detection shaft: VC1-DS2, VC1-DTA, M6WASHER, M6x1x12mm hex head bolt, O-ring: VC1-BA-OR1, VC1-BA-OR2, (2) VC1-BA-OR3, hardware: 407322, (2) M5x0.8x20mm hex head bolt					-	1
15	Burkert 8691 control top	see BT-series Control Top EPRG					-	1
16	Burkert 8692 control top	see XPB-series Control Top EPRG					-	1
17	Burkert 8682 control top	see MT-series Control Top EPRG					-	1
18	RP-BA-series spring return actuator	see RP-BA-series Rack and Pinion Actuator EPRG					-	1
19	RP-BA-series double acting actuator							1
20	RP-BS-series actuator	see RP-BS-series Rack and Pinion Actuator EPRG					-	1
21	BEO and BX-series actuator	see BEO-series Electric Actuator and BX-series Electric Actuator EPRG					-	1
22	solenoid	see X-series Solenoid EPRG					-	1
23	M6x12mm hex head limit switch/positioner bolts	M6x1x12mm hex head bolt					18-8	4
24	F05 limit switch/positioner bracket	LSPP-BK-S-N					304	1
25	M5x10mm hex head bracket bolts	M5x0.8x10mm hex head bolt					18-8	4
26	XPO-series rotary positioner	see XPO and XPV-series Rotary Positioner EPRG					-	1
27	XPV-series rotary positioner							
28	XLS-B4-series limit switch	see Limit Switches EPRG					-	1
29	XLS-C4-series limit switch							
30	XLS-C7-series limit switch							

¹Coupler may also require sleeve.

B5107-Series Butterfly Valve Actuated Options - Bill of Materials

Item #	Description	Part Number					Material	Qty
		2-1/2"	3"	4"	6"	8"		
1	actuated body bolt	M8x1.25x35mm hex head bolt	M8x1.24x45mm hex head bolt		M8x1.25x45mm socket cap screw	M10x1.5x50mm socket cap screw	18-8	2
2	body nut	M8x1.25 nylock nut			-	M10x1.25 nylock nut	18-8	2
3	valve	B5107_250_	B5107_300_	B5107_400_	B5107_600_	B5107_800_	see BOM	1
4	indicator	XB51-P-N					polyethylene	1
5	VC1-series coupler	XB51-CPB-NB					CF8	1
5A	coupler ¹	XB51 coupler is dependent on actuator selected based on actuator code and seat material					304	1
6	VC1-series actuator bolt and lock washer	M8x1.25x12mm hex head bolt					18-8	2
6A	pneumatic/electric actuator bolt	mounting bolts are dependent on actuator selected based on actuator code and seat material					18-8	4
7	actuator bracket	B5107-B200-250	B5107-B300-400		B5107-B600	B5107-B800	304	1
8	external proximity sensors	see DW-series Proximity Sensors EPRG					-	-
9	VC1-series spring return actuator canister	VC1SR			6" and 8" valves can only be actuated using Dixon's RP-BA and RP-BS-series rack and pinion actuators or BEO and BX-series electric actuators		304	1
9A	VC1-series double acting actuator canister	VC1DA					304	1
10	canister top cap	VC1-7					304	1
11	air fitting	407322					-	-
12	air filter	VC-NR-AF					-	-
13	top cap bolts	M5x0.8x100mm hex head bolt					18-8	2
14	Burkert 8691/8692 adapter kit	adapter and detection shaft: VC1-BA, VC1-DS, O-rings: (2) VC1-BA-OR1, VC1-BA-OR2, adapter hardware: 407322, (2) M5x0.8x20mm hex head bolt					-	1
14A	Burkert 8682 adapter kit	adapter: VC1-BA2, detection shaft: VC1-DS2, VC1-DTA, M6WASHER, M6x1x12mm hex head bolt, O-ring: VC1-BA-OR1, VC1-BA-OR2, (2) VC1-BA-OR3, hardware: 407322, (2) M5x0.8x20mm hex head bolt			-	1		
15	Burkert 8691 control top	see BT-series Control Top EPRG					-	1
16	Burkert 8692 control top	see XPB-series Control Top EPRG					-	1
17	Burkert 8682 control top	see MT-series Control Top EPRG					-	1
18	RP-BA-series spring return actuator	see RP-BA-series Rack and Pinion Actuator EPRG					-	1
19	RP-BA-series double acting actuator						-	1
20	RP-BS-series actuator	see RP-BS-series Rack and Pinion Actuator EPRG					-	1
21	BEO and BX-series	see BEO-series and BX-series Electric Actuator EPRG					-	1
22	solenoid	see X-series Solenoid EPRG					-	1
23	M6x12mm hex head limit switch/positioner bolts	M6x1x12mm hex head bolt					18-8	4
24	F05 limit switch/positioner bracket	LSPP-BK-S-N					304	1
25	M5x10mm hex head bracket bolts	M5x0.8x10mm hex head bolt					18-8	4
26	XPO-series rotary positioner	see XPO-series and XPV-series Rotary Positioner EPRG					-	1
27	XPV-series rotary positioner						-	1
28	XLS-B4-series limit switch	see Limit Switches EPRG					-	1
29	XLS-C4-series limit switch						-	1
30	XLS-C7-series limit switch						-	1

¹Coupler may also require sleeve.

B5107-Series Butterfly Valve Actuated Options - Bill of Materials

Part Number Key Code Identifier

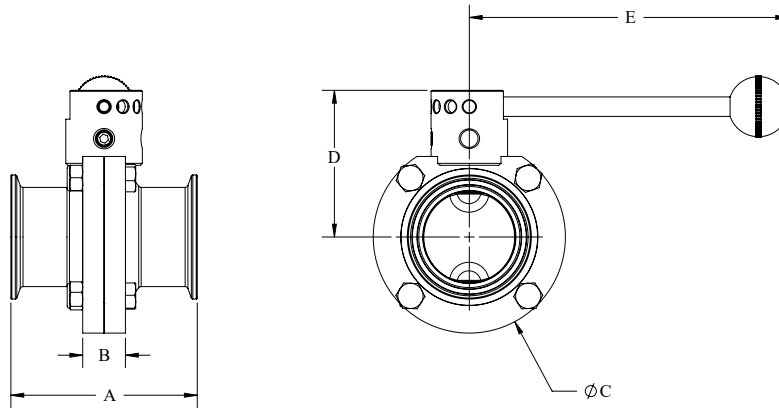
Item #	Description	Part # Key Code Identifier	Part # Key Code ²
1	actuated body bolt	standard on actuated valves	
2	body nut		
3	valve		
4	indicator		
5	VC1-series coupler		
5A	coupler ¹		
6	VC1-series actuator bolt and lock washer		
6A	pneumatic/electric actuator bolt		
7	actuator bracket		
8	external proximity sensors		Control Unit/Feedback
9	VC1-series spring return actuator canister	Actuation	F, G
9A	VC1-series double acting actuator canister	Actuation	H
10	canister top cap	standard on VC1-series actuated valves	
11	air fitting		
12	air filter		
13	top cap bolts		
14	Burkert 8691/8692 adapter kit	Control Unit/Feedback	11-18, 62, 64
14A	Burkert 8682 adapter kit	Control Unit/Feedback	68, 69
15	Burkert 8691 control top	Control Unit/Feedback	11-17, 64
16	Burkert 8692 control top	Control Unit/Feedback	18, 62
17	Burkert 8682 control top	Control Unit/Feedback	68, 69
18	RP-BA-series spring return actuator	Actuator	N, P, S, 5
19	RP-BA-series double acting actuator	Actuator	M, 3, 4
20	RP-BS-series actuator	Actuator	J, K, L
21	BEO-series and BX-series actuator	Actuator	D, E, O, R, T-Y, 6, 7
22	solenoid	Control Unit/Feedback	31-35
23	M6x12mm hex head limit switch/positioner bolts	standard on item no. 26-30	
24	F05 limit switch/positioner bracket		
25	M5x10mm hex head bracket bolts		
26	XPO-series rotary positioner	Control Unit/Feedback	22-30
27	XPV-series rotary positioner		
28	XLS-B4-series limit switch	Control Unit/Feedback	19
29	XLS-C4-series limit switch		20, 21, 46
30	XLS-C7-series limit switch		50, 63, 65

¹Coupler may also require a sleeve.

²Code shown is based off single option selection, see part number key for combination codes.

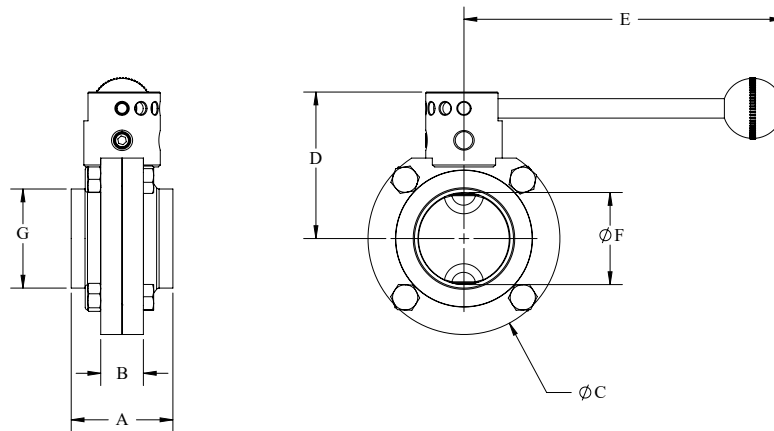
B5107-Series Butterfly Valve - Dimensions

Standard Handle - Clamp



Size	A (in)	B (in)	C (in)	D (in)	E (in)
1/2"	3.50	0.90	3.10	2.60	4.60
3/4"	3.50	0.90	3.10	2.60	4.60
1"	3.50	0.90	3.10	2.60	4.60
1-1/2"	3.50	0.90	3.10	2.60	4.60
2"	3.80	0.90	3.90	3.00	4.60
2-1/2"	3.80	0.90	4.60	3.40	4.60
3"	4.10	1.20	5.20	3.50	6.50
4"	4.80	1.20	6.70	4.30	6.50
6"	5.50	1.20	8.50	5.60	11.70
8"	5.00	1.20	11.20	7.80	18.10

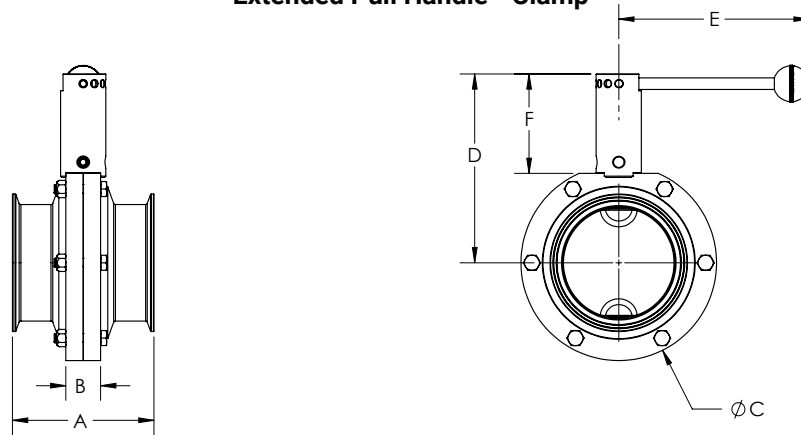
Standard Handle - Weld



Size	A (in)	B (in)	C (in)	D (in)	E (in)	F (in)	G (in)
1/2"	1.87	0.90	3.10	2.60	4.60	0.37	0.50
3/4"	1.87	0.90	3.10	2.60	4.60	0.62	0.75
1"	1.87	0.90	3.10	2.60	4.60	0.87	1.00
1-1/2"	1.87	0.90	3.10	2.60	4.60	1.37	1.50
2"	2.06	0.90	3.90	3.00	4.60	1.87	2.00
2-1/2"	2.12	0.90	4.60	3.40	4.60	2.37	2.50
3"	2.50	1.20	5.20	3.50	6.50	2.87	3.00
4"	3.18	1.20	6.70	4.30	6.50	3.83	4.00
6"	3.83	1.20	8.50	5.60	11.70	5.78	6.00
8"	4.97	1.20	11.20	7.80	18.10	7.78	8.00

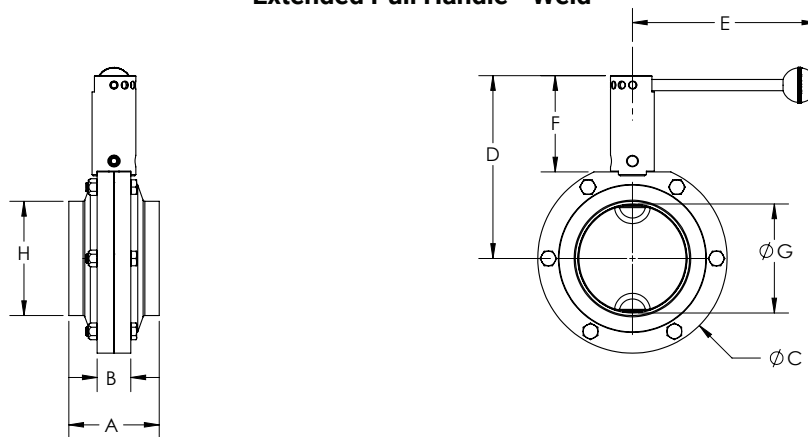
B5107-Series Butterfly Valve - Dimensions

Extended Pull Handle - Clamp



Size	A (in)	B (in)	C (in)	D (in)	E (in)	F (in)
1/2"	3.50	0.90	3.10	4.60	4.60	3.30
3/4"	3.50	0.90	3.10	4.60	4.60	3.30
1"	3.50	0.90	3.10	4.60	4.60	3.30
1-1/2"	3.50	0.90	3.10	4.60	4.60	3.30
2"	3.80	0.90	3.90	5.00	4.60	3.30
2-1/2"	3.80	0.90	4.60	5.40	4.60	3.30
3"	4.10	1.20	5.20	5.50	6.50	3.30
4"	4.80	1.20	6.70	6.30	6.50	3.30

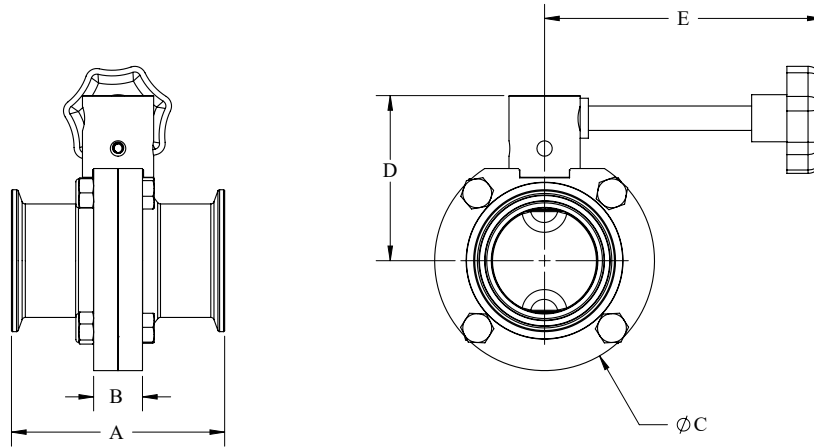
Extended Pull Handle - Weld



Size	A (in)	B (in)	C (in)	D (in)	E (in)	F (in)	G (in)	H (in)
1/2"	1.87	0.90	3.10	4.60	4.60	0.37	0.50	0.50
3/4"	1.87	0.90	3.10	4.60	4.60	0.62	0.75	0.75
1"	1.87	0.90	3.10	4.60	4.60	0.87	1.00	1.00
1-1/2"	1.87	0.90	3.10	4.60	4.60	1.37	1.50	1.50
2"	2.06	0.90	3.90	5.00	4.60	1.87	2.00	2.00
2-1/2"	2.12	0.90	4.60	5.40	4.60	2.37	2.50	2.50
3"	2.50	1.20	5.20	5.50	6.50	2.87	3.00	3.00
4"	3.18	1.20	6.70	6.30	6.50	3.83	4.00	4.00

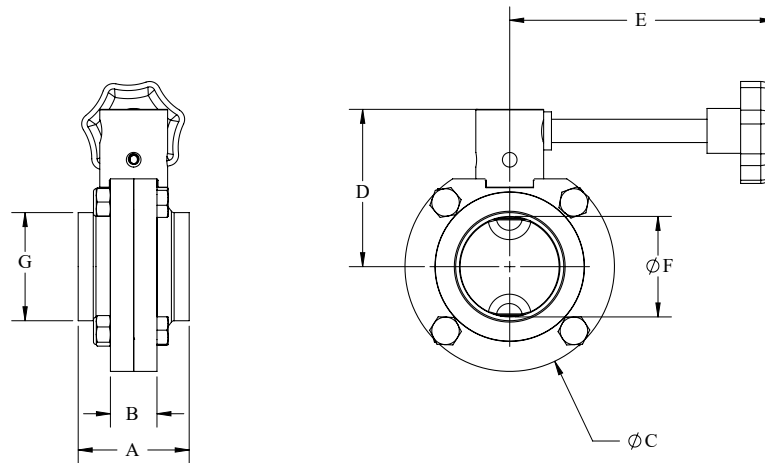
B5107-Series Butterfly Valve - Dimensions

Infinite Handle - Clamp



Size	A (in)	B (in)	C (in)	D (in)	E (in)
1/2"	3.50	0.90	3.10	2.60	4.90
3/4"	3.50	0.90	3.10	2.60	4.90
1"	3.50	0.90	3.10	2.60	4.90
1-1/2"	3.50	0.90	3.10	2.60	4.90
2"	3.80	0.90	3.90	3.00	4.90
2-1/2"	3.80	0.90	4.60	3.40	4.90
3"	4.10	1.20	5.20	3.50	6.60
4"	4.80	1.20	6.70	4.30	6.60

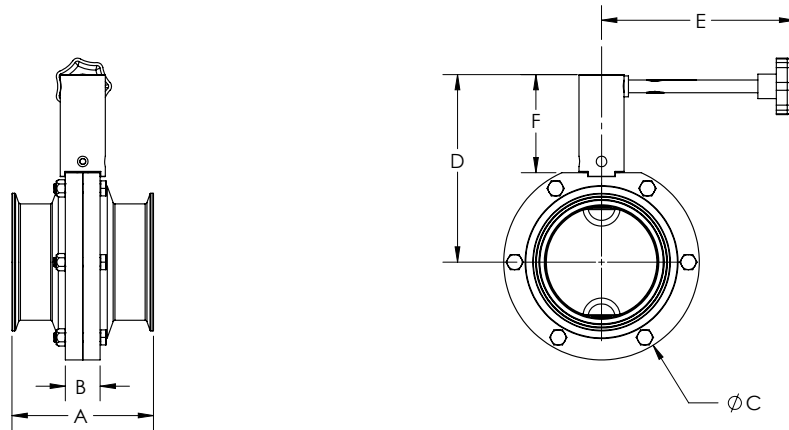
Infinite Handle - Weld



Size	A (in)	B (in)	C (in)	D (in)	E (in)	F (in)	G (in)
1/2"	1.87	0.90	3.10	2.60	4.90	0.37	0.50
3/4"	1.87	0.90	3.10	2.60	4.90	0.62	0.75
1"	1.87	0.90	3.10	2.60	4.90	0.87	1.00
1-1/2"	1.87	0.90	3.10	2.60	4.90	1.37	1.50
2"	2.06	0.90	3.90	3.00	4.90	1.87	2.00
2-1/2"	2.12	0.90	4.60	3.40	4.90	2.37	2.50
3"	2.50	1.20	5.20	3.50	6.60	2.87	3.00
4"	3.18	1.20	6.70	4.30	6.60	3.83	4.00

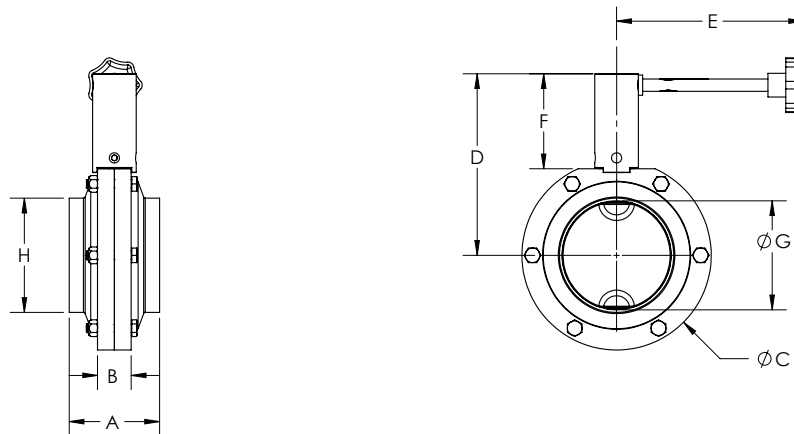
B5107-Series Butterfly Valve - Dimensions

Extended Infinite Handle - Clamp



Size	A (in)	B (in)	C (in)	D (in)	E (in)	F (in)
1/2"	3.50	0.90	3.10	4.60	4.90	3.30
3/4"	3.50	0.90	3.10	4.60	4.90	3.30
1"	3.50	0.90	3.10	4.60	4.90	3.30
1-1/2"	3.50	0.90	3.10	4.60	4.90	3.30
2"	3.80	0.90	3.90	5.00	4.90	3.30
2-1/2"	3.80	0.90	4.60	5.40	4.90	3.30
3"	4.10	1.20	5.20	5.50	6.60	3.30
4"	4.80	1.20	6.70	6.30	6.60	3.30

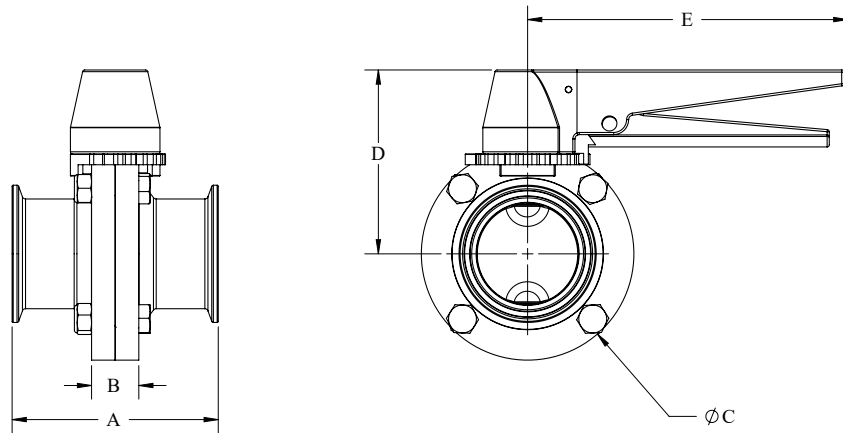
Extended Infinite Handle - Weld



Size	A (in)	B (in)	C (in)	D (in)	E (in)	F (in)	G (in)	H (in)
1/2"	1.87	0.90	3.10	4.60	4.90	0.37	0.50	0.50
3/4"	1.87	0.90	3.10	4.60	4.90	0.62	0.75	0.75
1"	1.87	0.90	3.10	4.60	4.90	0.87	1.00	1.00
1-1/2"	1.87	0.90	3.10	4.60	4.90	1.37	1.50	1.50
2"	2.06	0.90	3.90	5.00	4.90	1.87	2.00	2.00
2-1/2"	2.12	0.90	4.60	5.40	4.90	2.37	2.50	2.50
3"	2.50	1.20	5.20	5.50	6.60	2.87	3.00	3.00
4"	3.18	1.20	6.70	6.30	6.60	3.83	4.00	4.00

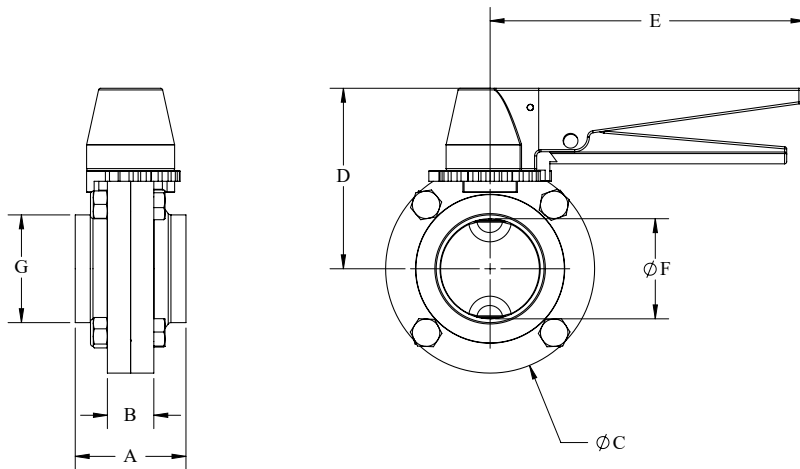
B5107-Series Butterfly Valve - Dimensions

Trigger Handle - Clamp



Size	A (in)	B (in)	C (in)	D (in)	E (in)
1/2"	3.50	0.90	3.10	2.60	5.90
3/4"	3.50	0.90	3.10	2.60	5.90
1"	3.50	0.90	3.10	2.60	5.90
1-1/2"	3.50	0.90	3.10	2.60	5.90
2"	3.80	0.90	3.90	3.00	5.90
2-1/2"	3.80	0.90	4.60	3.40	5.90
3"	4.10	1.20	5.20	3.50	5.90
4"	4.80	1.20	6.70	4.30	5.90

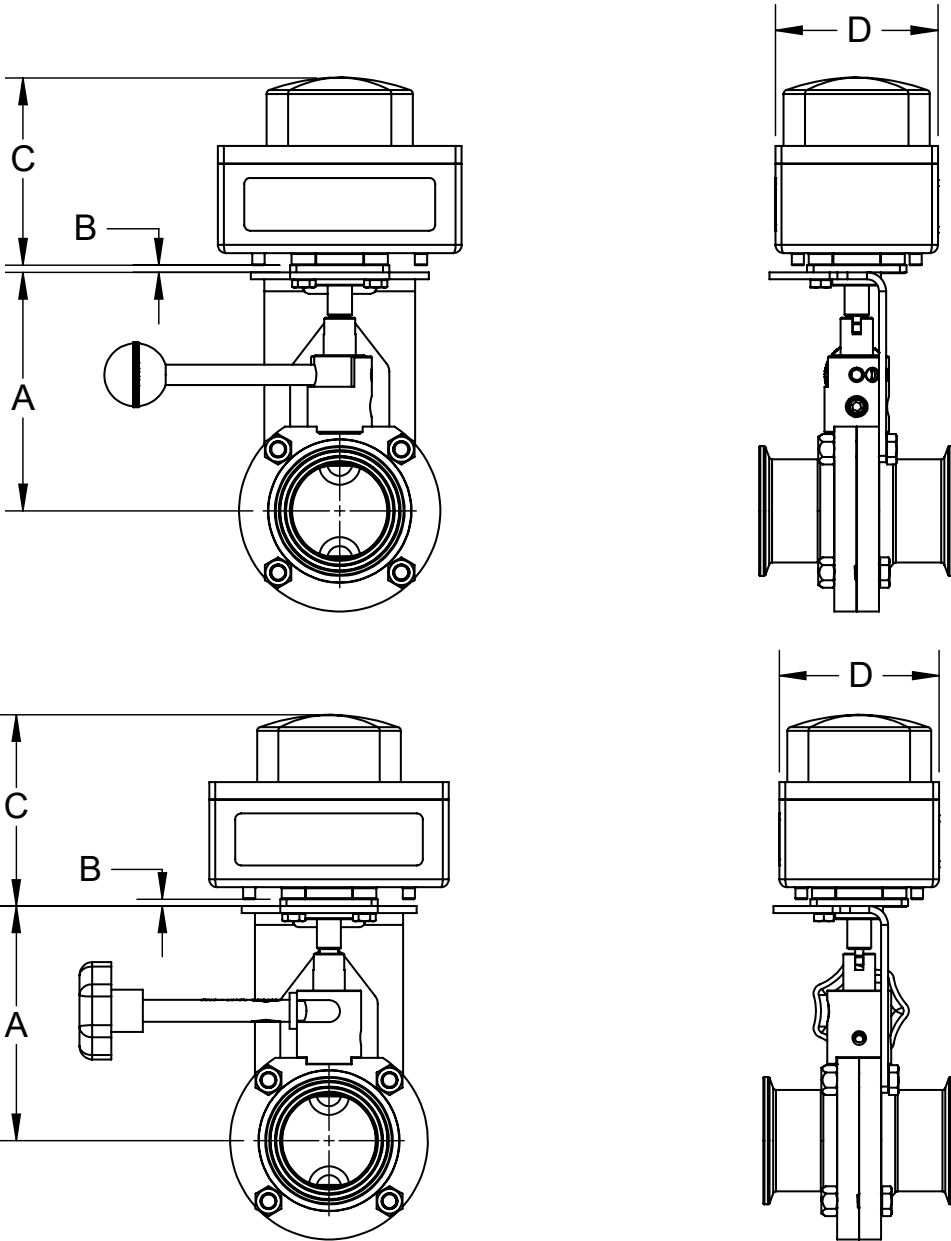
Trigger Handle - Weld



Size	A (in)	B (in)	C (in)	D (in)	E (in)	F (in)	G (in)
1/2"	1.87	0.90	3.10	2.60	5.90	0.37	0.50
3/4"	1.87	0.90	3.10	2.60	5.90	0.62	0.75
1"	1.87	0.90	3.10	2.60	5.90	0.87	1.00
1-1/2"	1.87	0.90	3.10	2.60	5.90	1.37	1.50
2"	2.06	0.90	3.90	3.00	5.90	1.87	2.00
2-1/2"	2.12	0.90	4.60	3.40	5.90	2.37	2.50
3"	2.50	1.20	5.20	3.50	5.90	2.87	3.00
4"	3.18	1.20	6.70	4.30	5.90	3.83	4.00

B5107-Series Butterfly Valve - Dimensions

Standard and Infinite Handles with Position Detection

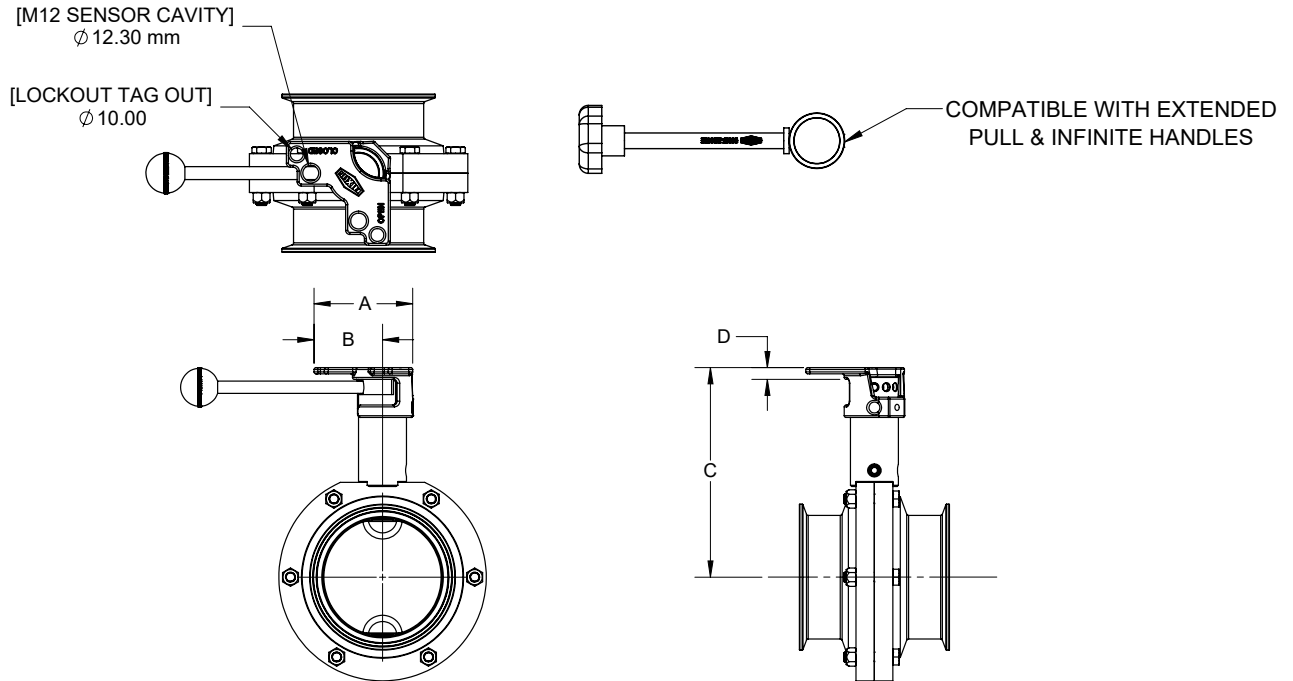


NOTE: Limit switch shown is XLS-C4A0120P

Size	A (in)	XLS-B4A0120P			XLS-C4A0120P			XLS-C7A0120P		
		B (in)	C (in)	D (in)	B (in)	C (in)	D (in)	B (in)	C (in)	D (in)
1/2"	4.31	0 (No Spacer Required)	3.62	4.06	0.135	3.63	3.15	0.135	5.43	6.7
3/4"	4.31									
1"	4.32									
1-1/2"	4.32									
2"	4.63									
2-1/2"	5.04									
3"	5.19									
4"	6.06									

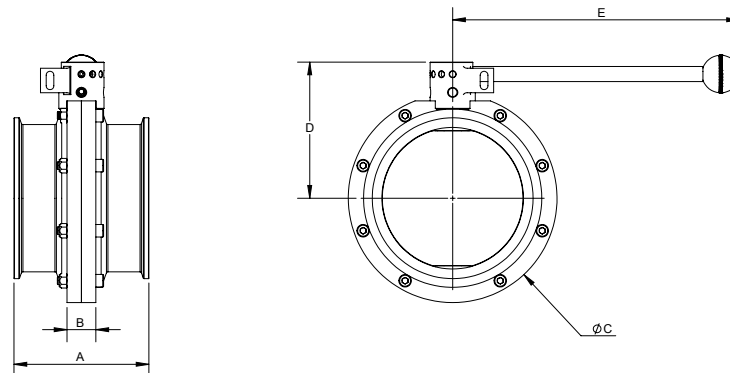
B5107-Series Butterfly Valve - Dimensions

Standard and Infinite Handles with Lock-out Tag-out



Part Number	Size	A (in)	B (in)	C (in) (standard handle)	C (in) (infinite handle)	D (in)
B5107-PB-5025	1/2"	3.02	2.20	5	5	0.37
	3/4"	3.02	2.20	5	5	0.37
	1"	3.02	2.20	5	5	0.37
	1-1/2"	3.02	2.20	5	5	0.37
	2"	3.02	2.20	5.4	5.4	0.37
	2-1/2"	3.02	2.20	5.8	5.8	0.37
B5107-PB-3040	3"	3.17	2.20	6	5.9	0.37
	4"	3.17	2.20	6.8	6.7	0.37

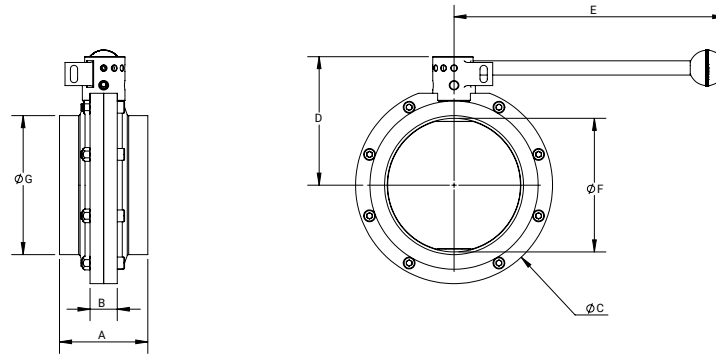
Pull Handle with Lock-out Tag-out - Clamp



Size	A (in)	B (in)	C (in)	D (in)	E (in)
6"	5.50	1.20	8.50	5.60	11.70
8"	5.00	1.20	11.20	7.80	18.10

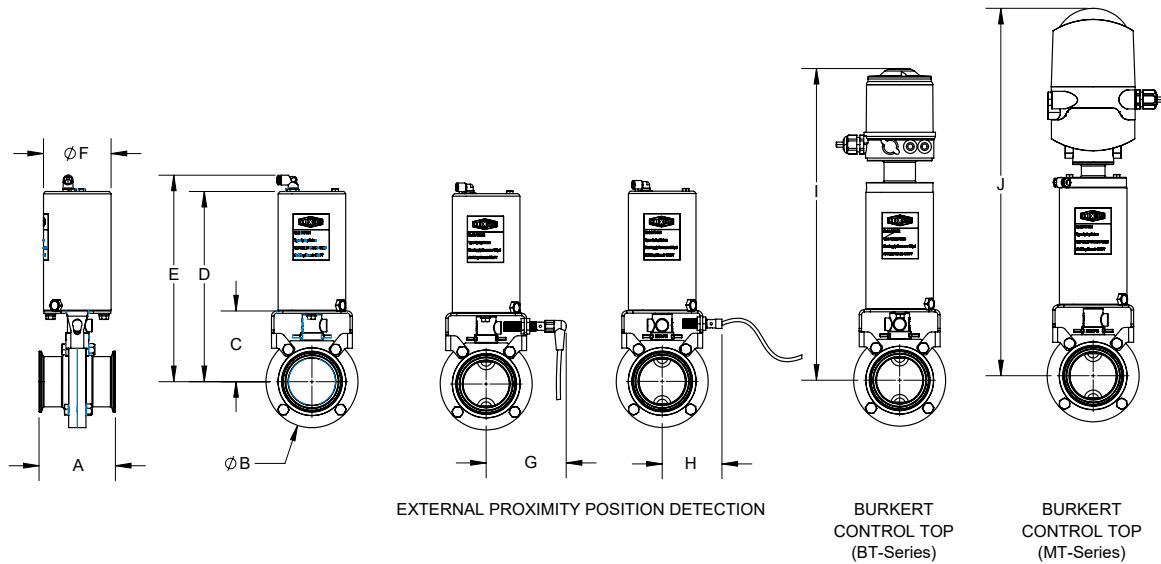
B5107-Series Butterfly Valve - Dimensions

Pull Handle with Lock-out Tag-out - Weld



Size	A (in)	B (in)	C (in)	D (in)	E (in)	F (in)	G (in)
6"	3.83	1.20	8.50	5.60	11.70	5.78	6.00
8"	4.97	1.20	11.20	7.80	18.10	7.78	8.00

Vertical Canister Actuator

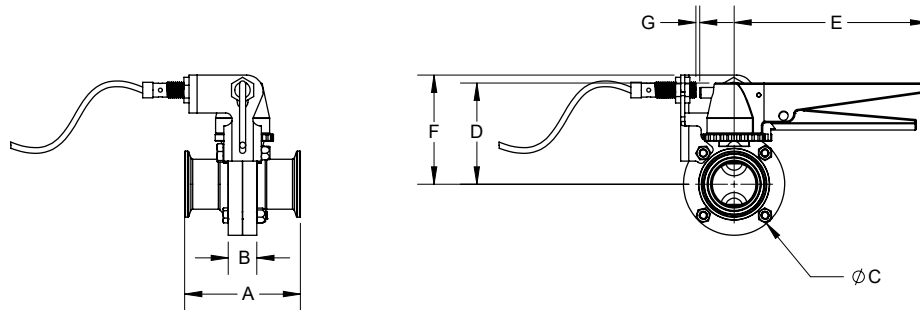


NOTE: See Proximity, BT-series, and MT-series EPRG for more information.

Size	A (in)	B (in)	C (in)	D (in)	E (in)	F (in)	G (in)	H (in)	I (in)	J (in)
1/2"	3.5	3.1	2.7	8.7	9.6	3.4	4.0	3.0	14.7	17.6
3/4"	3.5	3.1	2.7	8.7	9.6	3.4	4.0	3.0	14.7	17.6
1"	3.5	3.1	2.7	8.7	9.6	3.4	4.0	3.0	14.7	17.6
1-1/2"	3.5	3.1	2.7	8.7	9.6	3.4	4.0	3.0	14.7	17.6
2"	3.8	3.9	3.0	9.0	10.0	3.4	4.0	3.0	15.0	17.9
2-1/2"	3.8	4.6	3.5	9.5	10.4	3.4	4.0	3.0	15.5	18.4
3"	4.1	5.2	3.6	9.5	10.5	3.4	4.0	3.0	15.5	18.5
4"	4.8	6.7	4.4	10.4	11.4	3.4	4.0	3.0	16.4	19.3

B5107-Series Butterfly Valve - Dimensions

Multiposition Trigger Handle with Position Detection



Size	A (in)		B (in)	C (in)	D (in)	E (in)	F (in)	G (in)
	Clamp	Weld						
1/2"	3.50	1.87	0.90	3.10	2.60	5.90	3.30	proximity distance dependent on sensor used ¹
3/4"	3.50	1.87	0.90	3.10	2.60	5.90	3.30	
1"	3.50	1.87	0.90	3.10	2.60	5.90	3.30	
1-1/2"	3.50	1.87	0.90	3.10	2.60	5.90	3.30	
2"	3.80	2.06	0.90	3.90	3.00	5.90	3.55	
2-1/2"	3.80	2.12	0.90	4.60	3.40	5.90	4.00	
3"	4.10	2.50	1.20	5.20	3.50	5.90	4.05	
4"	4.80	3.18	1.20	6.70	4.30	5.90	4.90	

B5107-Series Butterfly Valve - Repair Kits

Size	Seat Material					
	EPDM	Silicone	FKM	EPDM/PTFE	Silicone/PTFE	FKM/PTFE
1/2"	B5107-RKE100	B5107-RKS100	B5107-RKV100	B5107-RKX100	B5107-RKZ100	B5107-RKY100
3/4"						
1"						
1-1/2"	B5107-RKE150	B5107-RKS150	B5107-RKV150	B5107-RKX150	B5107-RKZ150	B5107-RKY150
2"	B5107-RKE200	B5107-RKS200	B5107-RKV200	B5107-RKX200	B5107-RKZ200	B5107-RKY200
2-1/2"	B5107-RKE250	B5107-RKS250	B5107-RKV250	B5107-RKX250	B5107-RKZ250	B5107-RKY250
3"	B5107-RKE300	B5107-RKS300	B5107-RKV300	B5107-RKX300	B5107-RKZ300	B5107-RKY300
4"	B5107-RKE400	B5107-RKS400	B5107-RKV400	B5107-RKX400	B5107-RKZ400	B5107-RKY400
6"	B5107-RKE600	B5107-RKS600	-	B5107-RKX600	B5107-RKZ600	-
8"	B5107-RKE800	B5107-RKS800	-	B5107-RKX800	B5107-RKZ800	-

NOTE: All repair kits contain items 3, 4, and 5.

Notes

Lined area for notes.

Limited Warranty

DIXON VALVE & COUPLING COMPANY, LLC (herein called "Dixon") warrants the products described herein and manufactured by Dixon to be free from defects in material and workmanship for a period of one (1) year from date of shipment by Dixon under normal use and service. Its sole obligation under this warranty being limited to repairing or replacing, as hereinafter provided, at its option any product found to Dixon's satisfaction to be defective upon examination by it, provided that such product shall be returned for inspection to Dixon's factory within three (3) months after discovery of the defect. The repair or replacement of defective products will be made without charge for parts or labor. This warranty shall not apply to: (a) parts or products not manufactured by Dixon, the warranty of such items being limited to the actual warranty extended to Dixon by its supplier; (b) any product that has been subject to abuse, negligence, accident, or misapplication; (c) any product altered or repaired by others than Dixon; and (d) normal maintenance services and the replacement of service items (such as washers, gaskets, and lubricants) made in connection with such services. To the extent permitted by law, this limited warranty shall extend only to the buyer and any other person reasonably expected to use or consume the goods who is injured in person by any breach of the warranty. No action may be brought against Dixon for an alleged breach of warranty unless such action is instituted within one (1) year from the date the cause of action accrues. This limited warranty shall be construed and enforced to the fullest extent allowable by applicable law.

Other than the obligation of Dixon set forth herein, Dixon disclaims all warranties, express or implied, including but not limited to any implied warranties of merchantability or fitness for a particular purpose, and any other obligation or liability. The foregoing constitutes Dixon's sole obligation with respect to damages, whether direct, incidental, or consequential, resulting from the use or performance of the product.

Some products and sizes may be discontinued when stock is depleted or may require a minimum quantity for ordering.

Limits of Liability

This brochure is intended as a product offering. It is not intended to be a user or technical manual. Information in this brochure is subject to change without notice. All users and distributors of products sold through this brochure should contact Dixon with questions of use, compatibilities, coupling procedures, and life of product. Our full-time engineering and test staff are always available to recommend uses and to assist distributors and users with any questions.



Safety



Safety logos, which appear throughout our catalog, are used as a reminder that the user should carefully review for the appropriateness of the product for the media, application, and environment in which it will be used.

NOTE: Because of the health hazards associated with contamination and lead content in drinking water systems, Dixon couplings, unless otherwise specifically approved, are not recommended for potable water service and should not be used in applications where drinking water will contact the wetted surfaces of the coupling.

All Dixon products are shipped in cartons with the following warning:

"WARNING: This product contains lead, a chemical known to the State of California to cause cancer and birth defects or other reproductive harm."

Trademark

Delrin® and Zytel® are registered trademarks of E.I. du Pont Nemours and Company.

Kalrez® is a registered trademark of DuPont Dow Elastomers.

All other trademarks appearing in the Dixon illustrated product list are the property of their respective owners.

Copyright

Copyright © 2025 by Dixon Valve & Coupling Company, LLC

All rights reserved. This book is copyrighted material. Use, reproduction or copying of it by anyone other than Dixon® is strictly forbidden without its express written consent.

NOTE: Reasonable care has been taken in preparing this catalog. Dixon Valve & Coupling Company, LLC reserves the right to make corrections.

