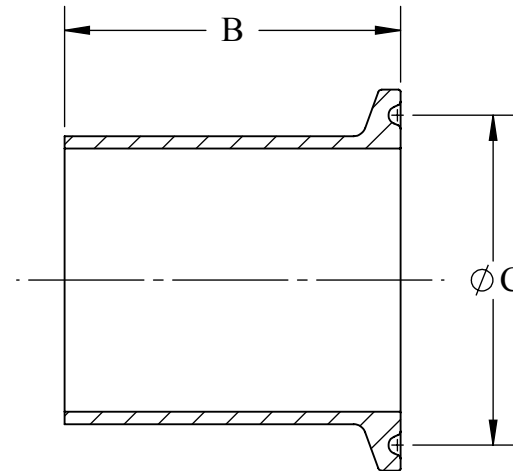
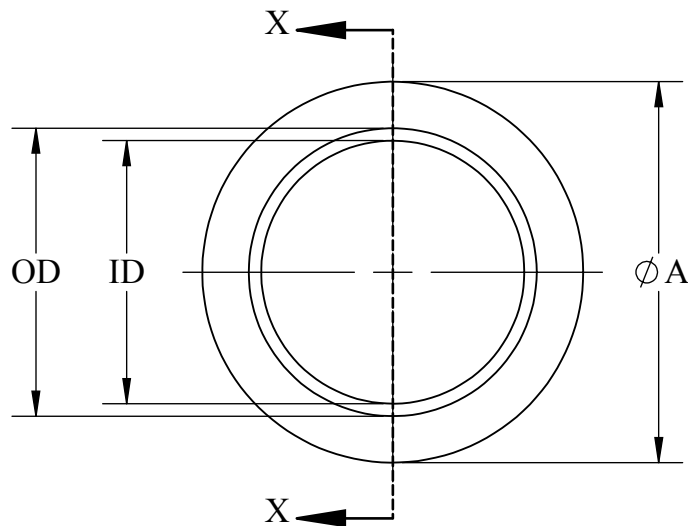
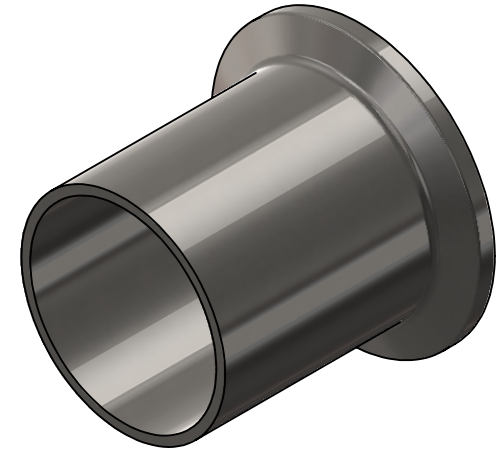


PART SIZE	A		B		C		OD		ID	
	IN	MM	IN	MM	IN	MM	IN	MM	IN	MM
1/2"	0.984	24.99	1.750	44.45	0.800	20.32	0.500	12.70	0.370	9.40
3/4"	0.984	24.99	1.750	44.45	0.800	20.32	0.750	19.05	0.620	15.75
1"	1.984	50.39	1.750	44.45	1.718	43.64	1.000	25.40	0.870	22.10
1-1/2"	1.984	50.39	1.750	44.45	1.718	43.64	1.500	38.10	1.370	34.80
2"	2.516	63.91	2.250	57.15	2.218	56.34	2.000	50.80	1.870	47.50
2-1/2"	3.047	77.39	2.250	57.15	2.781	70.64	2.500	63.50	2.370	60.20
3"	3.579	90.91	2.250	57.15	3.281	83.34	3.000	76.20	2.870	72.90
4"	4.682	118.92	2.250	57.15	4.344	110.34	4.000	101.60	3.834	97.38
6"	6.570	166.88	3.000	76.20	6.176	156.87	6.000	152.40	5.782	146.86



SECTION X-X



The Right Connection™

PROPRIETARY AND CONFIDENTIAL

This drawing is owned by Dixon Valve & Coupling Co. and shall be returned upon demand. It is loaned on condition that it shall not be copied or reproduced or submitted to others without the owners consent. In accepting it subject to this condition the recipient further agrees that this drawing or any design detail or concept disclosed herein shall not be used in any way detrimental to or in competition with the owner. If the recipient does not agree to the terms of this agreement they shall return this drawing immediately. The information contained in this drawing is subject to change without notice.

DO NOT SCALE THIS DRAWING

DIXON  **U.S.A.**

THE RIGHT CONNECTION™

DESCRIPTION:

AUTO WELD FERRULE

MATERIAL(S):

316L STAINLESS

PART NUMBER:

TL14AM7