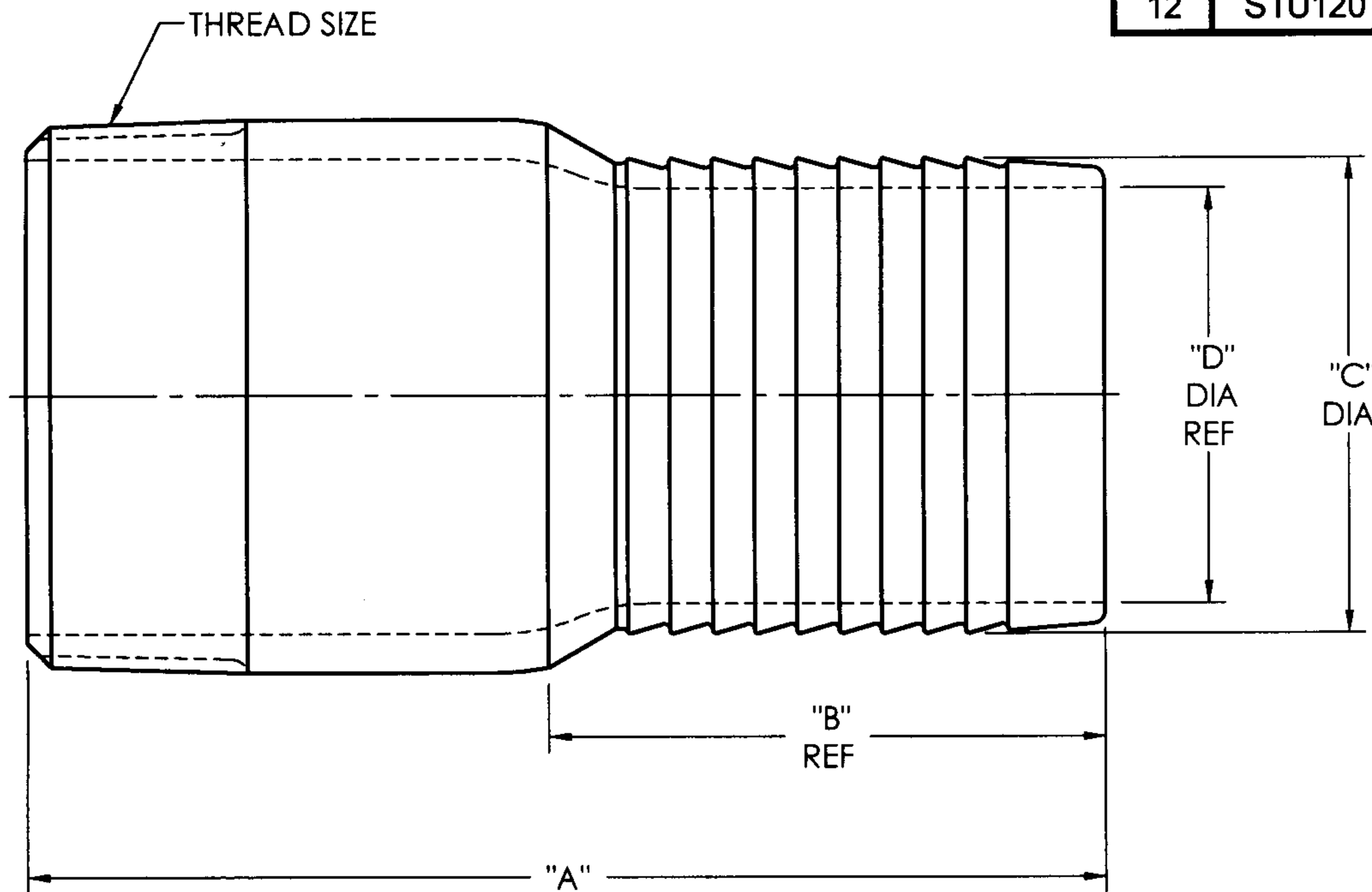


STUXX

6/19/09

CUSTOMER DWG

SIZE	PART NO.	A	B	C	D	THREAD SIZE	MATERIAL
3/4	STU5	3-1/8	1-5/8	0.735	9/16	3/4 - 14 NPT	3/4 SCHD. 40
1	STU10	3-7/16	1-5/8	0.985	27/32	1 - 11.1/2 NPT	1 SCHD. 40
1-1/4	STU15	3-15/16	1-7/8	1.235	1-1/16	1.1/4 - 11.1/2 NPT	1-1/4 SCHD. 40
1-1/2	STU20	4-1/16	2-1/8	1.485	1-11/16	1.1/2 - 11.1/2 NPT	1-1/2 SCHD. 40
2	STU25	4-11/16	2-7/16	1.977	1-11/16	2 - 11.1/2 NPT	2 SCHD. 40
2-1/2	STU30	5-9/16	2-7/8	2-15/32	2-3/16	2.1/2 - 8 NPT	2-1/2 SCHD. 40
3	STU35	6-1/8	3-1/4	2-31/32	2-5/8	3 - 8 NPT	3 SCHD. 40
4	STU40	7-1/4	3-7/8	3-31/32	3-19/32	4 - 8 NPT	4 SCHD. 40
5	STU50	9	5-3/8	4-1/4	4-5/8	5 - 8 NPT	5 SCHD. 40
6	STU60	11	6-3/8	5-31/32	5-9/16	6 - 8 NPT	6 SCHD. 40
8	STU80	12-1/8	7-7/16	7-31/32	7-9/16	8 - 8 NPT	8 SCHD. 40
10	STU100	13-1/8	8-3/4	9-31/32	9-9/16	10 - 8 NPT	10 SCHD. 40
12	STU120	15	10-1/8	11-15/16	11-1/2	12 - 8 NPT	12 SCHD. 40



CUSTOMER DWG

AGREEMENT TO MAINTAIN CONFIDENTIALITY

This drawing is owned by Dixon Valve & Coupling Co. and shall be returned upon demand. It is loaned on condition that it shall not be copied or reproduced or submitted to others without the owners consent. In accepting it subject to this condition the recipient further agrees that this drawing or any design detail or concept disclosed herein shall not be used in any way detrimental to or in competition with the owner. If the recipient does not agree to the terms of this agreement they shall return this drawing immediately.



DIXON VALVE & COUPLING CO. U. S. A.		
TITLE DIMENSIONS FOR UNDERSIZED KING COMBINATION NIPPLES		
DRWN BY: NPC 08/12/08	CHECKED BY: <i>[Signature]</i> 8/12/08	APPROVAL: <i>JSB</i> 8/22/08
MAT'L: CARBON STEEL		STUXX