

The Right Connection™

PROPRIETARY AND CONFIDENTIAL

This drawing is owned by Dixon Valve & Coupling Co. and shall be returned upon demand. It is loaned on condition that it shall not be copied or reproduced or submitted to others without the owners consent. In accepting it subject to this condition the recipient further agrees that this drawing or any design detail or concept disclosed herein shall not be used in any way detrimental to or in competition with the owner. If the recipient does not agree to the terms of this agreement they shall return this drawing immediately. The information contained in this drawing is subject to change without notice.

DO NOT SCALE THIS DRAWING

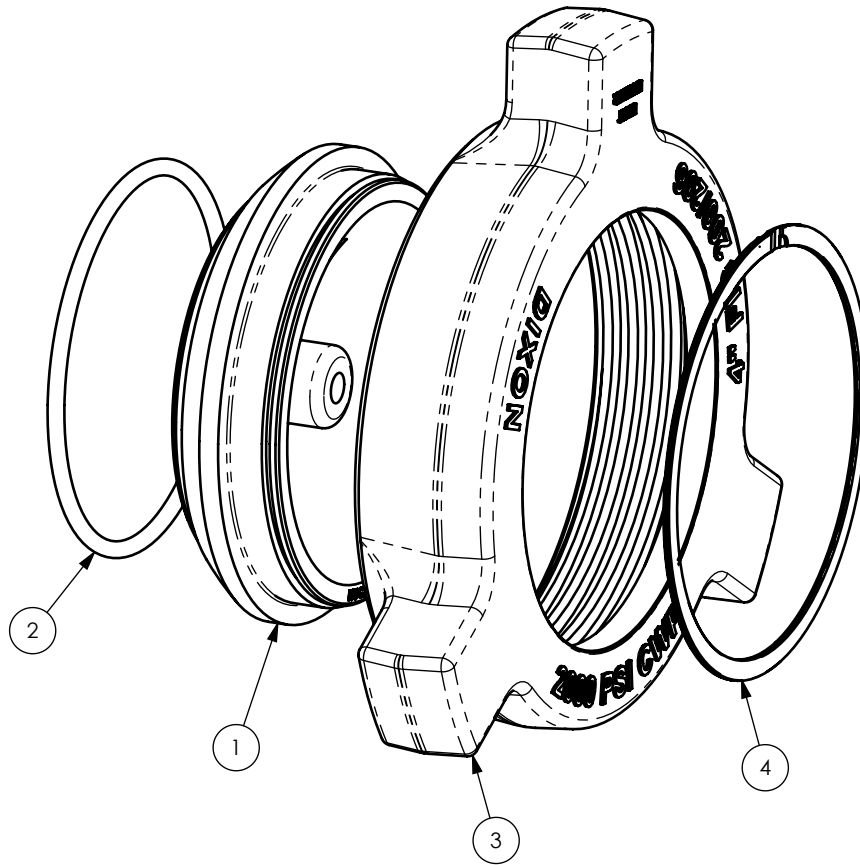
DIXON  U.S.A.

THE RIGHT CONNECTION™

TITLE: 4" HAMMER UNION "BULL PLUG" STYLE CAP WITH STANDARD NUT

MATERIAL: IRON / STEEL

PART NUMBER: **HUC206400**



4	WS-512	RETAINING RING	CARBON STEEL SAE 1070-1090	1
3	HU206400N	4" FIG.206 NUT	CARBON STEEL	1
2	O347BU	O-RING	BUNA	1
1	HUC206400-1	4" 206 SERIES BULL PLUG BODY	CARBON STEEL / IRON	1
ITEM NO.	PART NUMBER	DESCRIPTION	MATERIAL	QTY

PROPRIETARY AND CONFIDENTIAL

This drawing is owned by Dixon Valve & Coupling Co. and shall be returned upon demand. It is loaned on condition that it shall not be copied or reproduced or submitted to others without the owners consent. In accepting it subject to this condition the recipient further agrees that this drawing or any design detail or concept disclosed herein shall not be used in any way detrimental to or in competition with the owner. If the recipient does not agree to the terms of this agreement they shall return this drawing immediately. The information contained in this drawing is subject to change without notice.

DIXON  **U.S.A.**

THE RIGHT CONNECTION™

TITLE: 4" HAMMER UNION "BULL PLUG" STYLE CAP WITH STANDARD NUT

MATERIAL: SEE BOM

PART NUMBER: **HUC206400**

DO NOT SCALE THIS DRAWING



The Right Connection™

dixonvalve.com