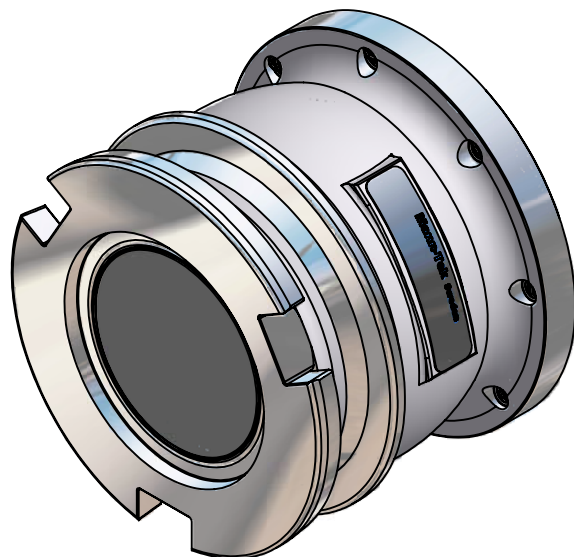
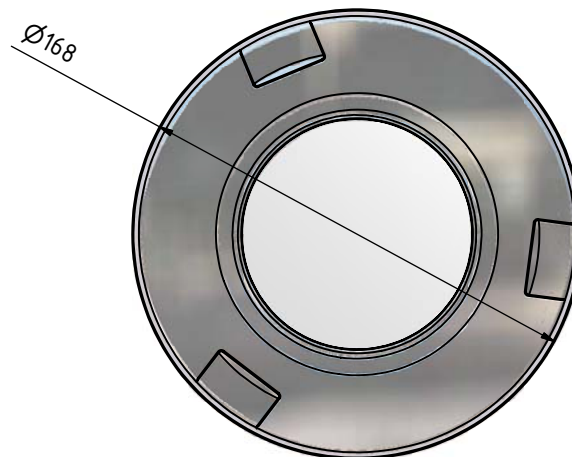
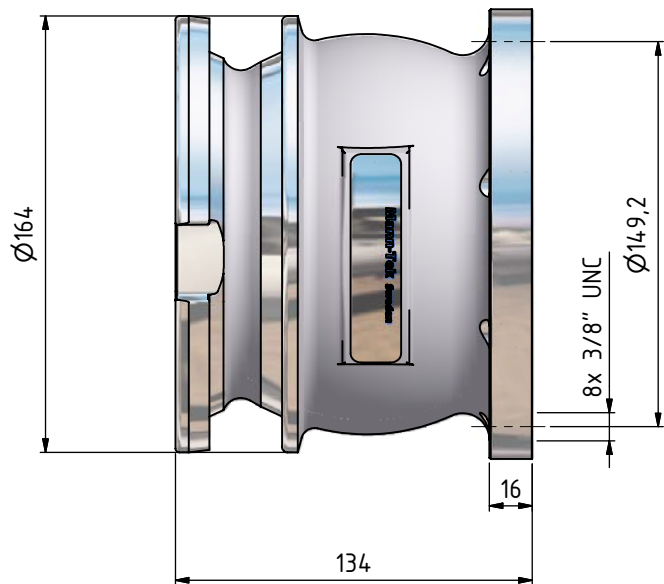



Notice: This drawing contains proprietary information and shall not be used or reproduced or its contents disclosed in whole or in part, without the prior written consent of the Mann Technik AB



Dimensions are in metric.

Detail No:		Material		Ytbeh./Treatment	
		Designed/drawn by G. Kopplin		Scale: 1:2	
		Checked M. Bäckström		Date 2008-10-13	
		Approved T. Mann			
<p style="text-align: center;">Tank Unit 4" Flange 4" T.T.M.A</p>				Data nr./Comp No. T568D1101	Blad/Sheet 1 / 1
				Drawing No. T568D1101-1	

NO.	Revision comprises	Date	Sign.	Appr by
-----	--------------------	------	-------	---------