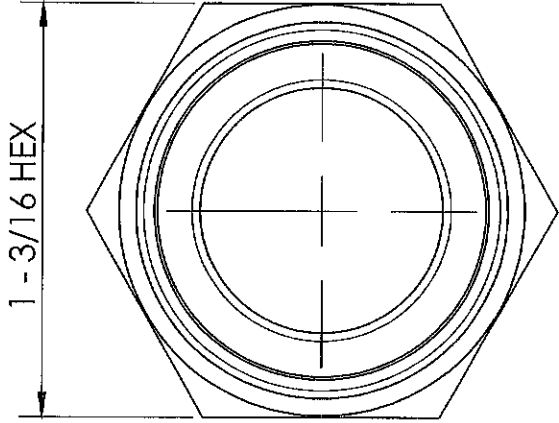
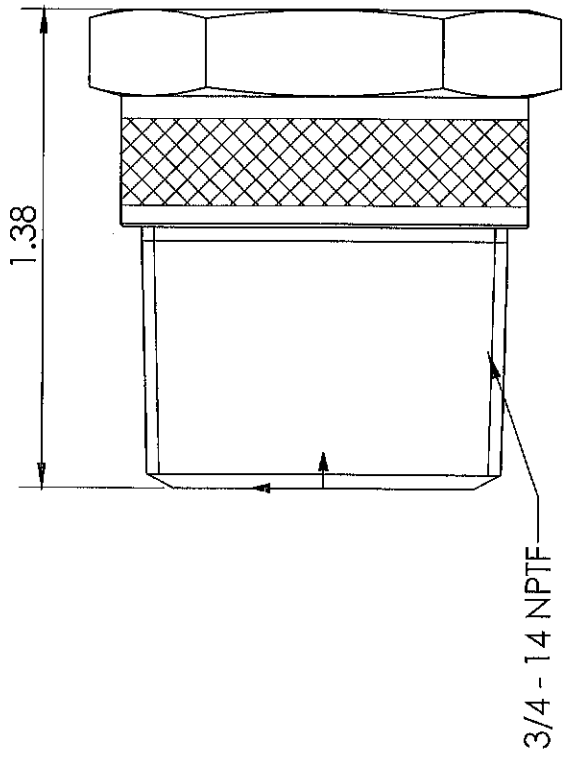
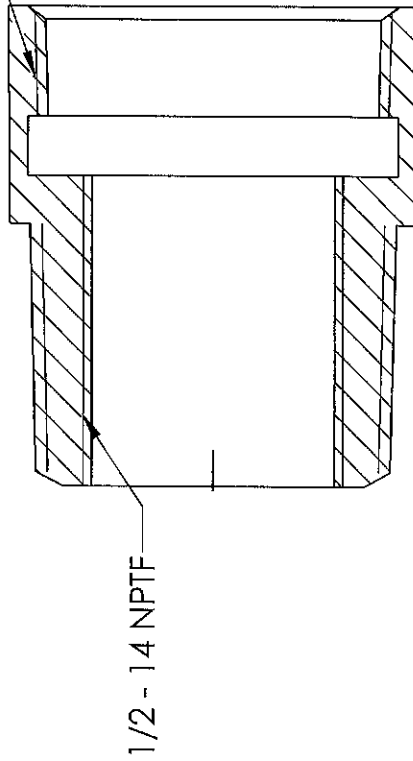


LINE DRAWING NOT FOR PRODUCTION PURPOSES



3/4 - 11 - 1/2 N.H.



MATERIAL 1 - 3/16 HEX ALLOY 360 BRASS

This drawing is owned by Dixon Valves & Coupling Co. and shall be returned upon demand. It is loaned on condition it shall not be copied or reproduced or submitted to others without the owners consent. In accepting this drawing for use, the recipient hereby agrees to this drawing for any design detail or assembly, and shall not be held responsible for any errors or omissions. No competition with the owner, if the recipient does not agree to this disclaimer, shall result. The recipient shall return this drawing immediately. The information contained in this drawing is subject to change without notice.

 Dixon Brass Westmont, Illinois USA	DRAWN	DATE
	HENRY B.	9/6/17
	APPROVED	DATE
	ECO NO.	

DO NOT SCALE THIS DRAWING	
TITLE: 3/4 NPTF X 1/2 NPTF X	SIZE DWG. NO. REV
3/4-11-1/2 G.H. ADAPTER	A 5031212C A