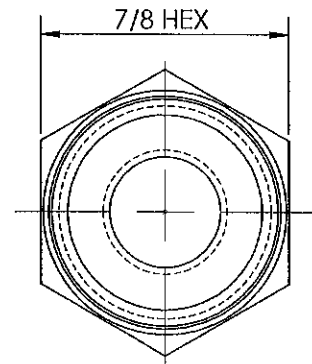
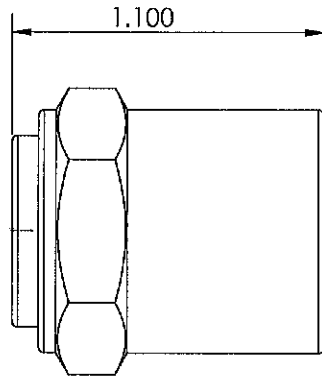
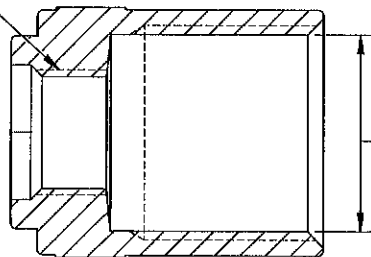


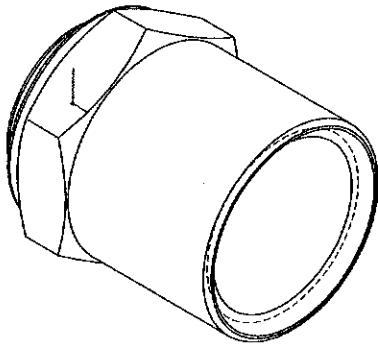
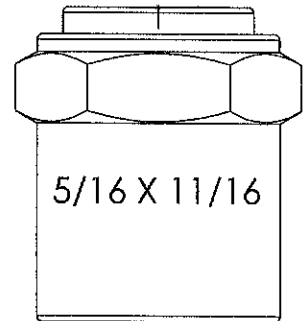
LINE DRAWING NOT FOR PRODUCTION PURPOSES




7/16 -20 UNF-2B
HOSE I.D. 5/16

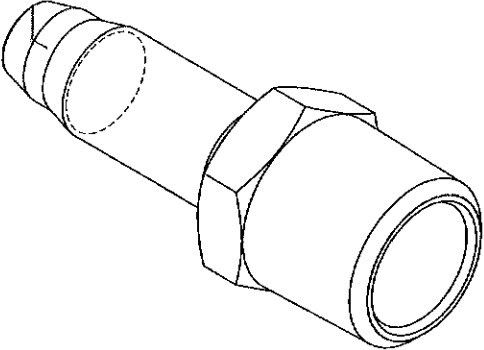
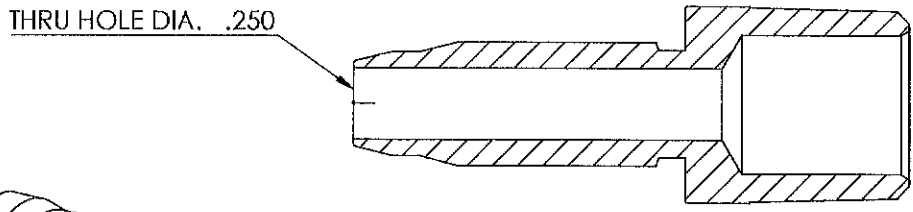
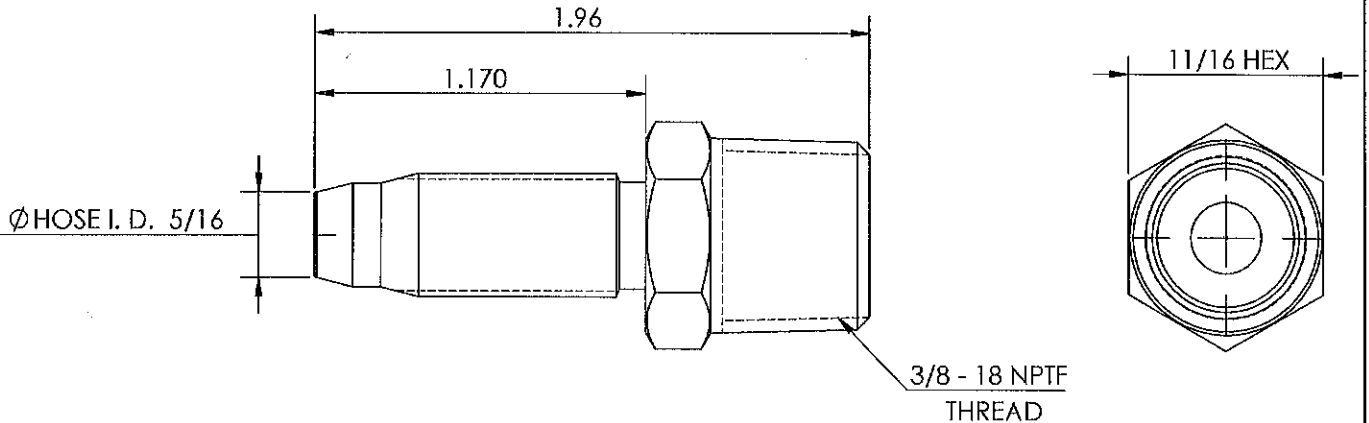



Ø HOSE O.D. 11/16



THIS DRAWING CONTAINS INFORMATION DEEMED PROPRIETARY TO DIXON BRASS AND IS TO BE USED ONLY FOR THE PURPOSE FOR WHICH IT IS SUBMITTED, AND FURTHER, SHALL NOT BE COPIED IN WHOLE OR IN PART WITHOUT EXPRESS WRITTEN PERMISSION FIRST OBTAINED FROM DIXON BRASS.			
UNLESS OTHERWISE SPECIFIED:		DRAWN P. MONAGHAN DATE 4/17/15	
DIMENSIONS ARE IN INCHES		APPROVED DATE	
TOLERANCES:		ECO NO.	
ANGLES: ±0°30'		DRAWING NOT REPRODUCED TO SCALE	
X (±.015)		SIZE DWG. NO. REV	
XX (±.010)		A 1800511F B	
.XXX (±.005)			
DIMENSIONS PER ANSI Y14.5		TITLE: REUSABLE FERRULE	
 Dixon Brass Westmont, Illinois USA			

LINE DRAWING NOT FOR PRODUCTION PURPOSES



THIS DRAWING CONTAINS INFORMATION DEEMED PROPRIETARY TO DIXON BRASS AND IS TO BE USED ONLY FOR THE PURPOSE FOR WHICH IT IS SUBMITTED, AND FURTHER, SHALL NOT BE COPIED IN WHOLE OR IN PART WITHOUT EXPRESS WRITTEN PERMISSION FIRST OBTAINED FROM DIXON BRASS.			
UNLESS OTHERWISE SPECIFIED:		DRAWN	DATE
DIMENSIONS ARE IN INCHES		P. MONAGHAN	4/27/15
TOLERANCES:		APPROVED	DATE
ANGLES: $\pm 0^{\circ}30'$		ECO NO.	
.X ($\pm .015$)		DRAWING NOT REPRODUCED TO SCALE	
.XX ($\pm .010$)		SIZE	DWG. NO.
.XXX ($\pm .005$)		A	1820506S
DIMENSIONS PER ANSI Y14.5		REV	B
 Dixon Brass Westmont, Illinois USA		TITLE: REUSABLE MALE STEM	