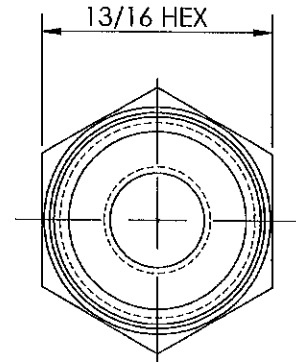
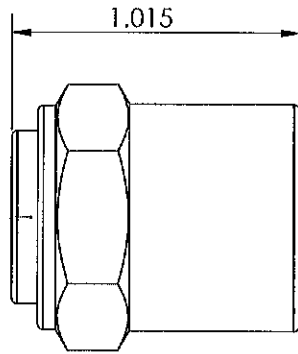
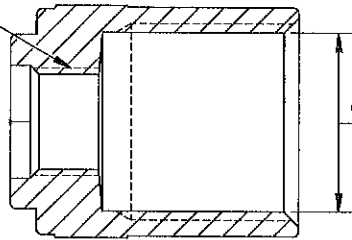


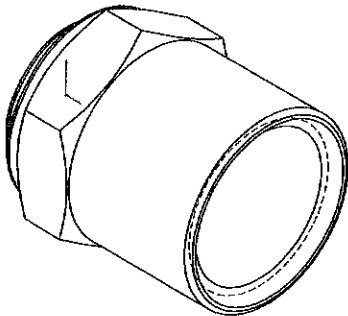
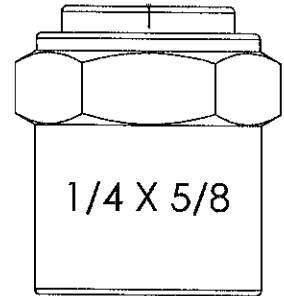
LINE DRAWING NOT FOR PRODUCTION PURPOSES




3/8 - 24 UNF-2B  
HOSE I.D. 1/4

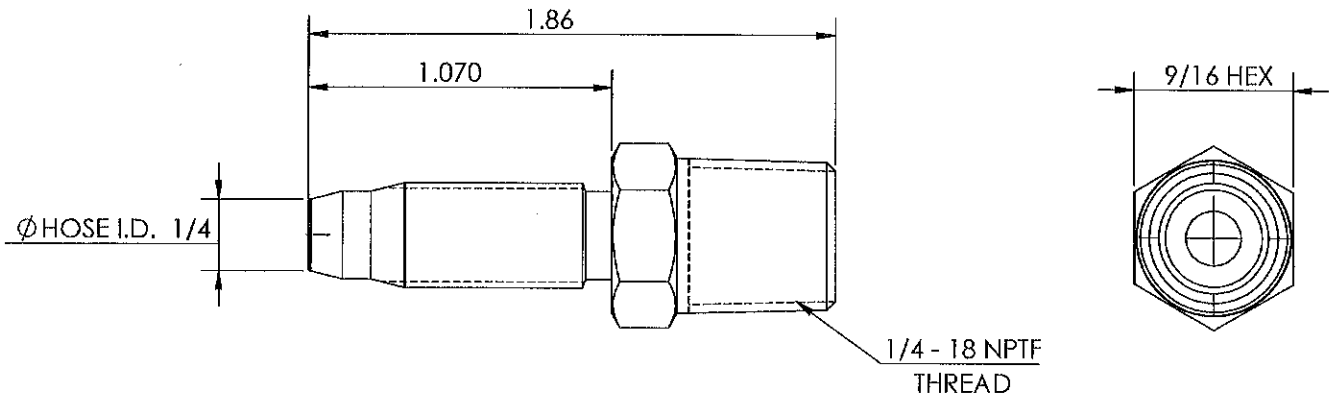


Ø HOSE O.D. 5/8

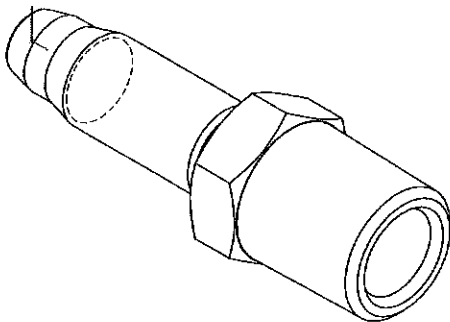
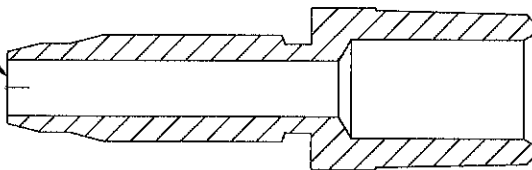



THIS DRAWING CONTAINS INFORMATION DEEMED PROPRIETARY TO DIXON BRASS AND IS SO TO BE USED ONLY FOR THE PURPOSE FOR WHICH IT IS SUBMITTED, AND FURTHER, SHALL NOT BE COPIED IN WHOLE OR IN PART WITHOUT EXPRESS WRITTEN PERMISSION FIRST OBTAINED FROM DIXON BRASS.			
UNLESS OTHERWISE SPECIFIED:			
DIMENSIONS ARE IN INCHES			<b>Dixon Brass</b> Westmont, Illinois USA
TOLERANCES: ANGLES: ±0°30' .X (±.015) .XX (±.010) .XXX (±.005)			
DIMENSIONS PER ANSI Y14.5		TITLE: REUSABLE FERRULE	ECO NO. DRAWING NOT REPRODUCED TO SCALE DWG. NO. 1800410F REV B

LINE DRAWING NOT FOR PRODUCTION PURPOSES



THRU HOLE DIA. .194



THIS DRAWING CONTAINS INFORMATION DEEMED PROPRIETARY TO DIXON BRASS AND IS SO TO BE USED ONLY FOR THE PURPOSE FOR WHICH IT IS SUBMITTED, AND FURTHER, SHALL NOT BE COPIED IN WHOLE OR IN PART WITHOUT EXPRESS WRITTEN PERMISSION FIRST OBTAINED FROM DIXON BRASS.				
UNLESS OTHERWISE SPECIFIED:		 <b>Dixon Brass</b> Westmont, Illinois USA	DRAWN P. MONAGHAN	DATE 4/27/15
DIMENSIONS ARE IN INCHES			APPROVED	DATE
TOLERANCES: ANGLES: $\pm 0^{\circ}30'$ X ( $\pm .015$ ) XX ( $\pm .010$ ) XXX ( $\pm .005$ )		ECO NO.		
DIMENSIONS PER ANSI Y14.5		DRAWING NOT REPRODUCED TO SCALE		
TITLE: REUSABLE MALE STEM		SIZE <b>A</b>	DWG. NO. 1820404S	REV E