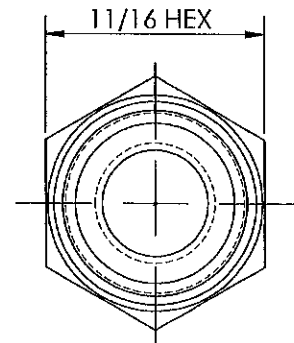
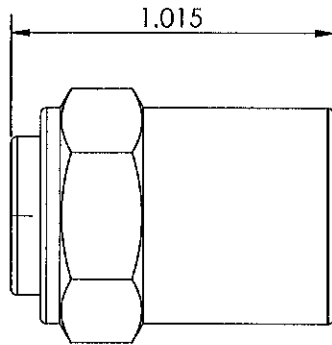
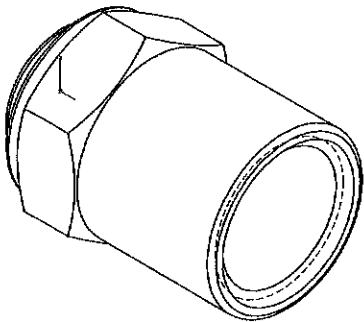
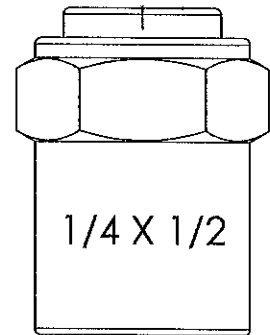
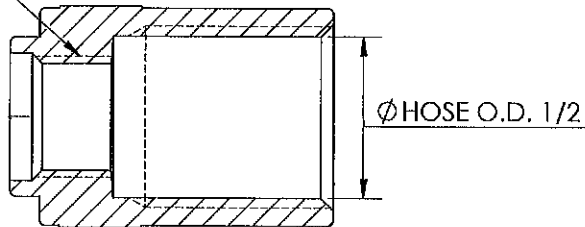



LINE DRAWING NOT FOR PRODUCTION PURPOSES

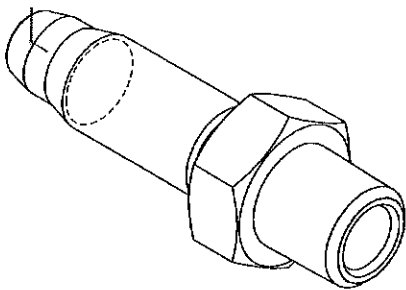
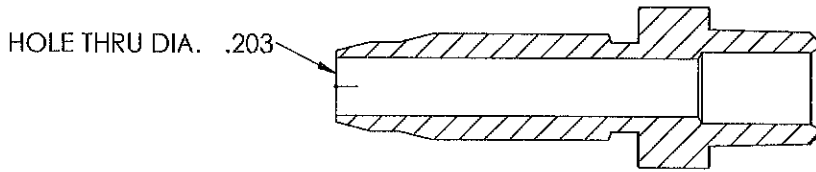
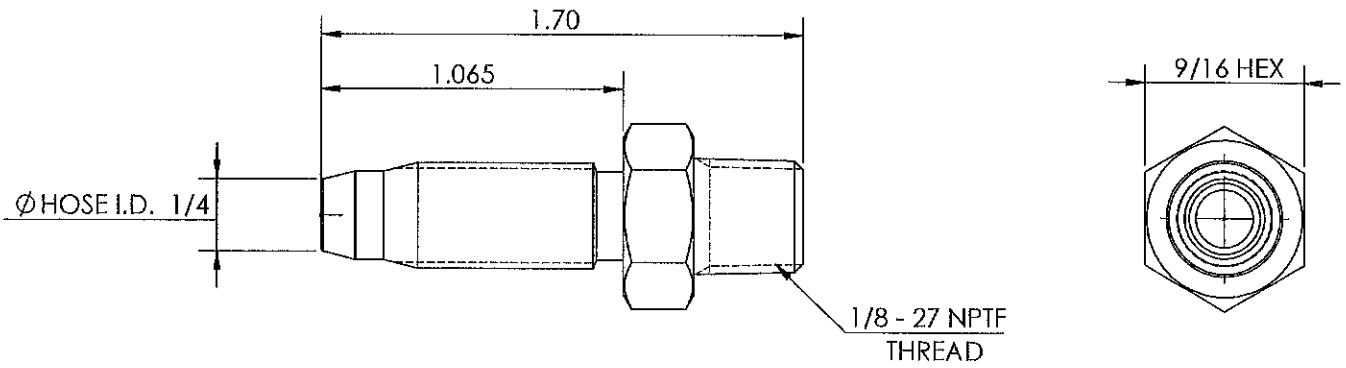



3/8 - 24 UNF -2B
HOSE I.D. 1/4



THIS DRAWING CONTAINS INFORMATION DEEMED PROPRIETARY TO DIXON BRASS AND IS TO BE USED ONLY FOR THE PURPOSE FOR WHICH IT IS SUBMITTED, AND FURTHER, SHALL NOT BE COPIED IN WHOLE OR IN PART WITHOUT EXPRESS WRITTEN PERMISSION FIRST OBTAINED FROM DIXON BRASS.				
UNLESS OTHERWISE SPECIFIED:				
DIMENSIONS ARE IN INCHES		 Dixon Brass Westmont, Illinois USA	DRAWN P. MONAGHAN APPROVED	DATE 4/16/15 DATE
TOLERANCES: ANGLES: ±0°30' .X (±.015) .XX (±.010) .XXX (±.005)			ECO NO.	
DIMENSIONS PER ANSI Y14.5		TITLE: REUSABLE FERRULE	DRAWING NOT REPRODUCED TO SCALE	
SIZE A	DWG. NO. 1800408F	REV B		

LINE DRAWING NOT FOR PRODUCTION PURPOSES



THIS DRAWING CONTAINS INFORMATION DEEMED PROPRIETARY TO DIXON BRASS AND IS TO BE USED ONLY FOR THE PURPOSE FOR WHICH IT IS SUBMITTED, AND FURTHER, SHALL NOT BE COPIED IN WHOLE OR IN PART WITHOUT EXPRESS WRITTEN PERMISSION FIRST OBTAINED FROM DIXON BRASS.					
UNLESS OTHERWISE SPECIFIED:		 The Flight Connection SM	Dixon Brass Westmont, Illinois USA	DRAWN P. MONAGHAN	DATE 4/27/15
DIMENSIONS ARE IN INCHES TOLERANCES: ANGLES: ±0°30' .X (±.015) .XX (±.010) .XXX (±.005) DIMENSIONS PER ANSI Y14.6				APPROVED	DATE
TITLE:		REUSABLE MALE STEM		ECO NO.	DRAWING NOT REPRODUCED TO SCALE
SIZE		DWG. NO. A 1820402S		REV E	