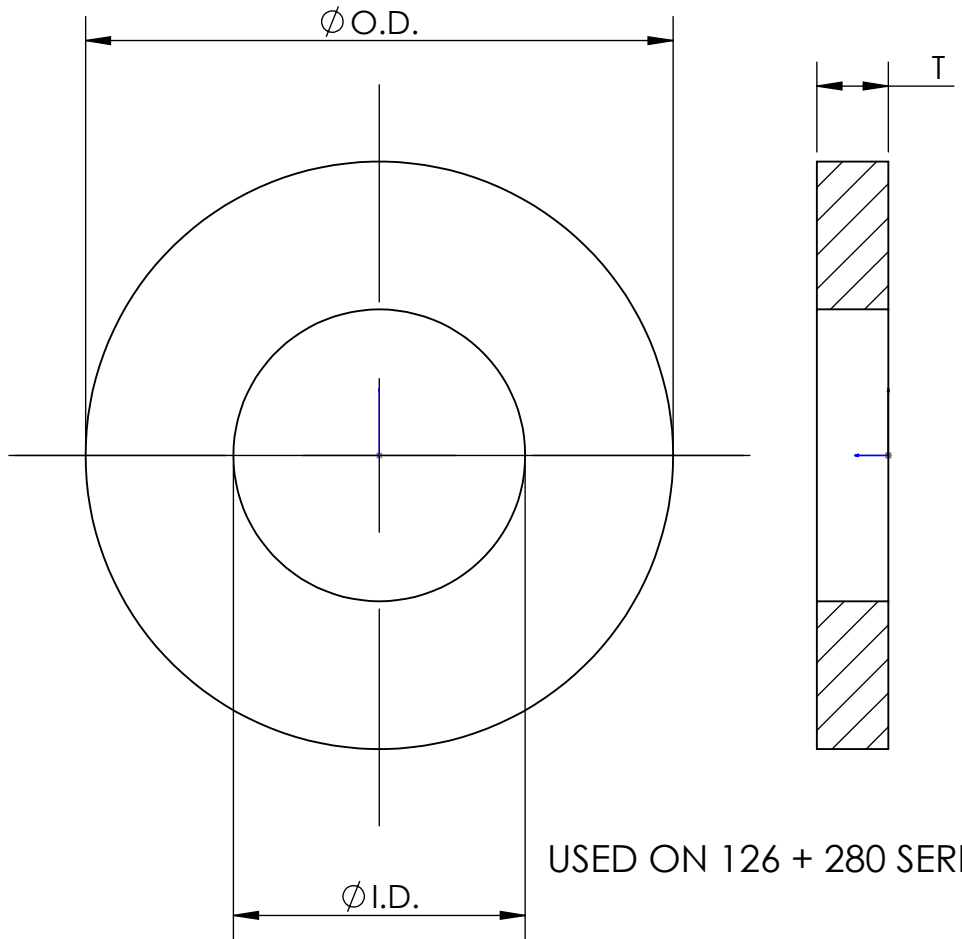


REV	COMMENTS	DATE
E	CHANGED O.D. ON 1260400R PER. JIM J.	5/30/22

PART NO.	NPSM NUT	O.D. +/- .016	I.D. +/- .016	T +/- .016
1260200R	1/8 - 27	.375	.150	.093
1260400R	1/4 - 18	.500	.250	.093
1260600R	3/8 - 18	.625	.275	.093
1260800R	1/2 - 14	.765	.380	.093
1261200R	3/4 - 14	.984	.605	.093




USED ON 126 + 280 SERIES

NOTE: PUNCHED DIE CLEARANCE .013

MATERIAL 80 DUROMETER NEOPRENE RUBBER

THIS DRAWING CONTAINS INFORMATION DEEMED PROPRIETARY TO DIXON BRASS AND IS SO TO BE USED ONLY FOR THE PURPOSE FOR WHICH IT IS SUBMITTED, AND FURTHER, SHALL NOT BE COPIED IN WHOLE OR IN PART WITHOUT EXPRESS WRITTEN PERMISSION FIRST OBTAINED FROM DIXON BRASS.

UNLESS OTHERWISE SPECIFIED: DIMENSIONS ARE IN INCHES TOLERANCES: ANGLES: ±0°30' .X (±.015) .XX (±.010) .XXX (±.005) DIMENSIONS PER ANSI Y14.5		Dixon Brass Westmont, Illinois USA	DRAWN P. MONAGHAN	DATE 5/30/22
			APPROVED	DATE
TITLE: GASKET		DRAWING NOT REPRODUCED TO SCALE		
SIZE A		DWG. NO. 126XXXXR	REV D	