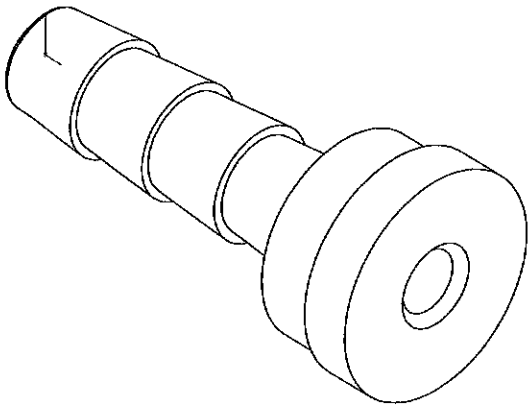
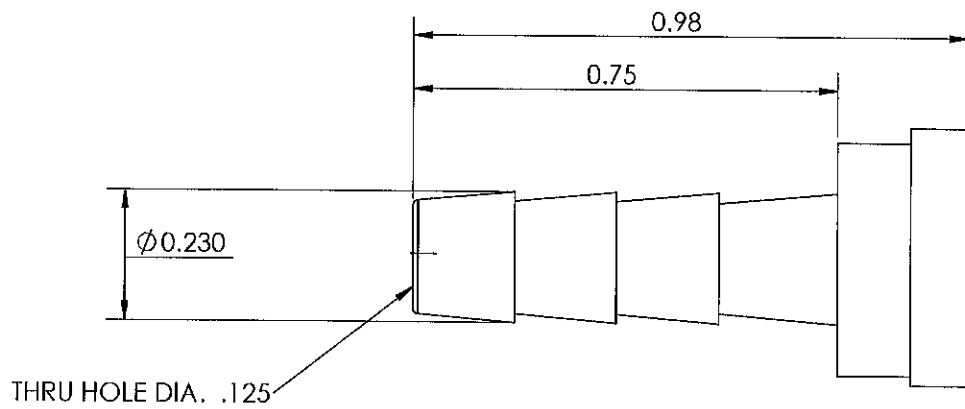
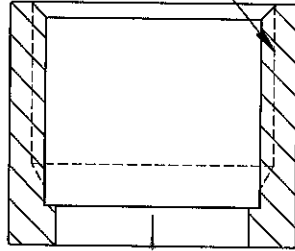
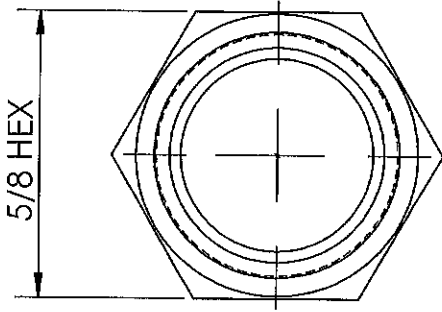
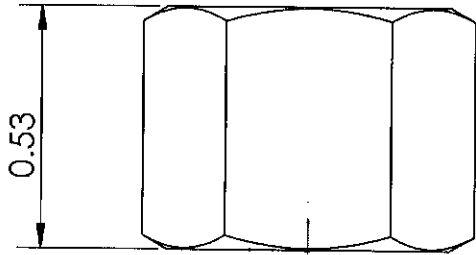


LINE DRAWING NOT FOR PRODUCTION PURPOSES

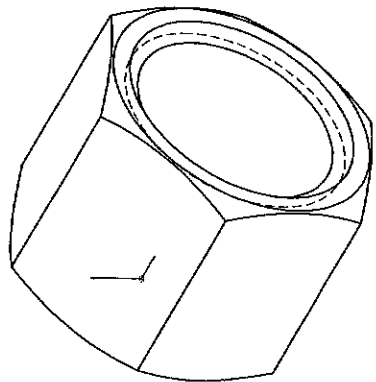


THIS DRAWING CONTAINS INFORMATION DEEMED PROPRIETARY TO DIXON BRASS AND IS SO TO BE USED ONLY FOR THE PURPOSE FOR WHICH IT IS SUBMITTED, AND FURTHER, SHALL NOT BE COPIED IN WHOLE OR IN PART WITHOUT EXPRESS WRITTEN PERMISSION FIRST OBTAINED FROM DIXON BRASS.			
UNLESS OTHERWISE SPECIFIED:		DRAWN F. MONAGHAN	
DIMENSIONS ARE IN INCHES		DATE 2/28/14	
TOLERANCES: ANGLES: +0°30'		APPROVED	
.X (±.015)		DATE	
.XX (±.010)		ECO NO.	
.XXX (±.005)		DRAWING NOT REPRODUCED TO SCALE	
DIMENSIONS PER ANSI Y14.5		TITLE: 3/16 SWIVEL STEM GASKET SEAT TYPE	
		SIZE A	DWG. NO. 1260304S
		REV C	

LINE DRAWING NOT FOR PRODUCTION PURPOSES



(THRU HOLE DIA.)  $\varnothing 0.42$



THIS DRAWING CONTAINS INFORMATION DEEMED PROPRIETARY TO DIXON BRASS AND IS SO TO BE USED ONLY FOR THE PURPOSE FOR WHICH IT IS SUBMITTED, AND FURTHER, SHALL NOT BE COPIED IN WHOLE OR IN PART WITHOUT EXPRESS WRITTEN PERMISSION FIRST OBTAINED FROM DIXON BRASS. UNLESS OTHERWISE SPECIFIED:		DRAWN P. MONAGHAN APPROVED		DATE 2/27/14
DIMENSIONS ARE IN INCHES TOLERANCES: ANGLES: ±0° 30' XX (±.015) XX (±.010) .XXX (±.005)		Dixon Brass Westmont, Illinois USA		FCO NO.
DIMENSIONS PER ANSI Y14.5		TITLE: FEMALE SWIVEL NUT 1/4 - 18 NPSM		DRAWING NOT REPRODUCED TO SCALE
		SIZE A	DWG. NO. 1240604N	REV B