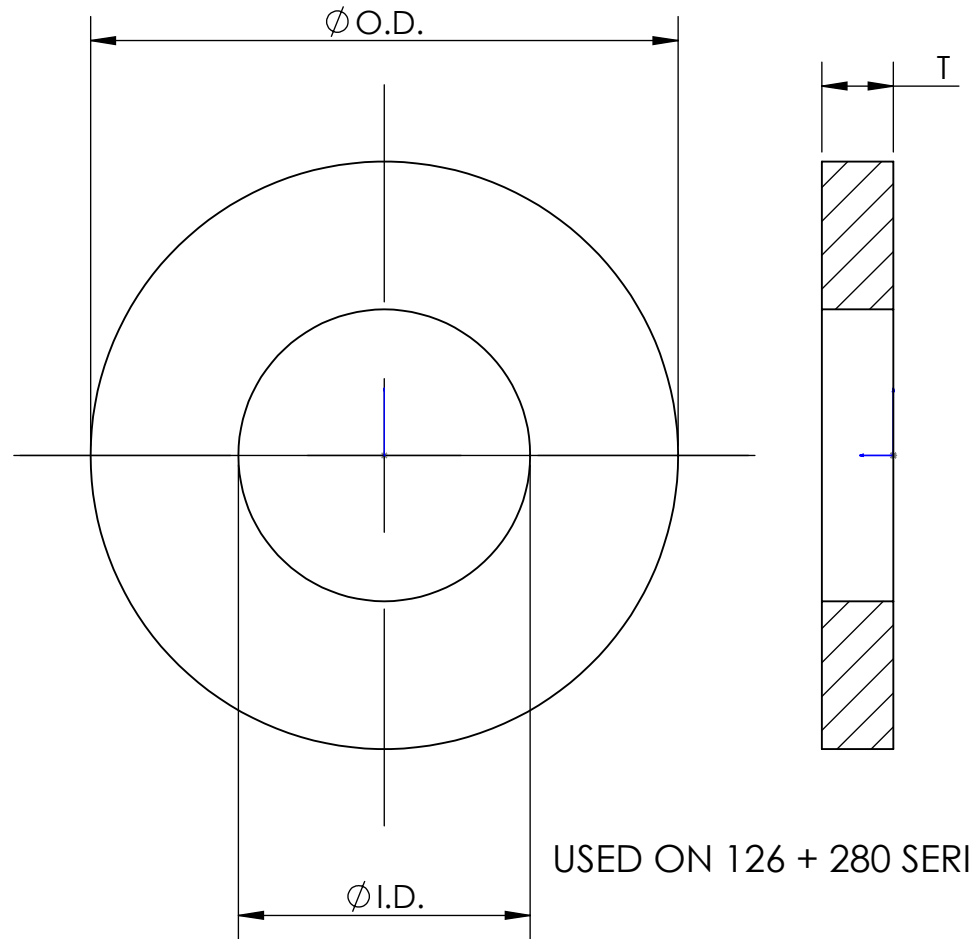


REV	COMMENTS	DATE
E	CHANGED O.D. ON 1260400R PER. JIM J.	5/30/22

PART NO.	NPSM NUT	O.D. +/- .016	I.D. +/- .016	T +/- .016
1260200R	1/8 - 27	.375	.150	.093
1260400R	1/4 - 18	.500	.250	.093
1260600R	3/8 - 18	.625	.275	.093
1260800R	1/2 - 14	.765	.380	.093
1261200R	3/4 - 14	.984	.605	.093



USED ON 126 + 280 SERIES

NOTE: PUNCHED DIE CLEARANCE .013

**MATERIAL** 80 DUROMETER NEOPRENE RUBBER

THIS DRAWING CONTAINS INFORMATION DEEMED PROPRIETARY TO DIXON BRASS AND IS SO TO BE USED ONLY FOR THE PURPOSE FOR WHICH IT IS SUBMITTED, AND FURTHER, SHALL NOT BE COPIED IN WHOLE OR IN PART WITHOUT EXPRESS WRITTEN PERMISSION FIRST OBTAINED FROM DIXON BRASS.			
UNLESS OTHERWISE SPECIFIED:			
DIMENSIONS ARE IN INCHES			<b>Dixon Brass</b> Westmont, Illinois USA
TOLERANCES: ANGLES: ±0°30' .X (±.015) .XX (±.010) .XXX (±.005)			
DIMENSIONS PER ANSI Y14.5		DRAWING NOT REPRODUCED TO SCALE	
TITLE: GASKET		SIZE <b>A</b>	DWG. NO. 126XXXXR REV D