

Spring Check Type Snoots – Pin Lug

Features

- Other configurations are also available, consult Dixon® for information
- Finishes: -P polished, -C polished chrome plated

Specification

- Maximum operating pressure: 175 PSI at 70°F (21°C)

Female Outlet

Feature

- Connections are attached to the bodies with pipe nipples (not included)

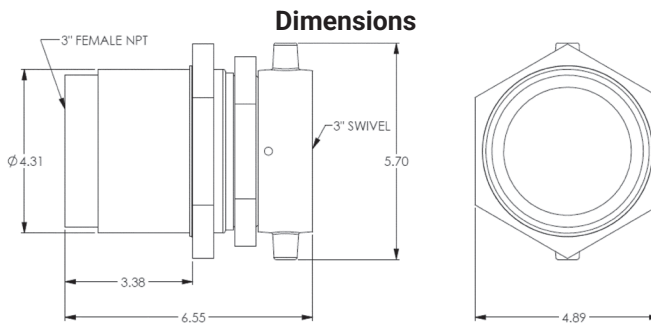
Specification

- Female NPT rigid with hexagon by female hose thread to swivel



polished, chrome plated

Outlet Female NPT Thread	Inlet Female NST (NH) Thread	Cast Brass Part #
3"	2-1/2"	CSSTF25F30T-P
	3"	CSSTF25F30T-C
		CSSTF30F30T-P



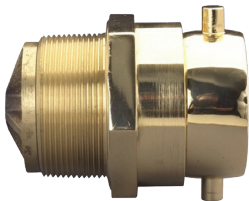
Male Outlet

Features

- Used when a direct connection to bodies is desired
- Finishes: -P polished, -C polished chrome plated

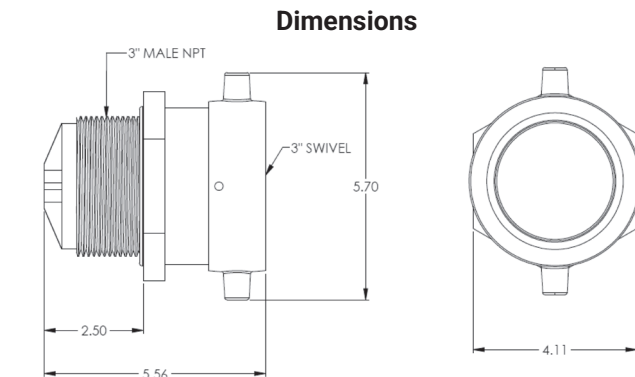
Specification

- Male NPT x 2-1/2" female hose thread to swivel



polished

Outlet Male NPT Thread	Inlet Female NST (NH) Thread	Cast Brass Part #
3"	2-1/2"	CSSTM25F30T-P
		CSSTM25F30T-C
	3"	CSSTM30F30T-P
		CSSTM30F30T-C



NOTE: Under no circumstances should a check snoot be installed directly into a pipe, as this may prevent the snoot from opening. Install directly into the appropriate standpipe body only.

