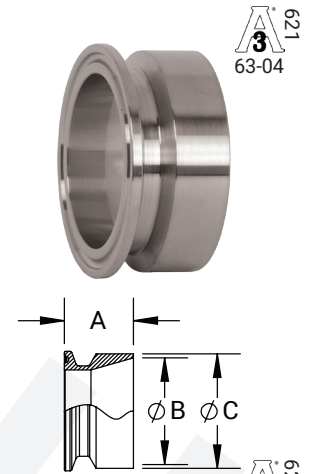


Pipe Size Adapters

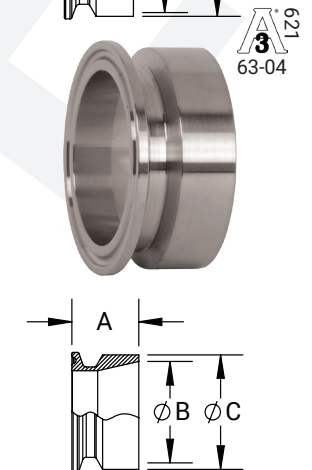
Tube O.D. Clamp x Schedule 5S Weld Adapters – B19MPV

Pipe Size	A (in)	B (in)	C (in)	Pipe Wall Thickness (in)	316L Stainless Steel Part #
1"	1.13	1.19	1.32	.065	B19MPV-R100
1-1/2"		1.77	1.90		B19MPV-R150
2"		2.25	2.38		B19MPV-R200
2-1/2"		2.71	2.88	.083	B19MPV-R250
3"		3.33	3.50		B19MPV-R300
4"		4.33	4.50		B19MPV-R400



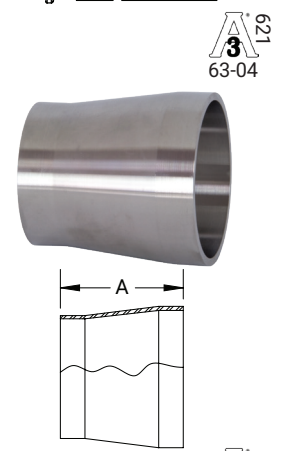
Tube O.D. Clamp x Schedule 10S Weld Adapters – B19MPX

Pipe Size	A (in)	B (in)	C (in)	Pipe Wall Thickness (in)	316L Stainless Steel Part #
1"	1.13	1.10	1.32	.109	B19MPX-R100
1-1/2"		1.68	1.90		B19MPX-R150
2"		2.16	2.38		B19MPX-R200
2-1/2"		2.64	2.88	.120	B19MPX-R250
3"		3.26	3.50		B19MPX-R300
4"		4.26	4.50		B19MPX-R400



Tube O.D. Weld x Schedule 5S Weld Adapters – B19WV

Pipe Size	A (in)	Tube Wall Thickness (in)	Pipe Wall Thickness (in)	316L Stainless Steel Part #
1"	2.00	.065	.065	B19WV-R100
1-1/2"	2.50			B19WV-R150
2"				B19WV-R200
2-1/2"			.083	B19WV-R250
3"	B19WV-R300			
4"	3.00			.083



Tube O.D. Weld x Schedule 10S Weld Adapters – B19WX

Pipe Size	A (in)	Tube Wall Thickness (in)	Pipe Wall Thickness (in)	316L Stainless Steel Part #
1"	2.00	.065	.109	B19WX-R100
1-1/2"	2.50			B19WX-R150
2"				B19WX-R200
2-1/2"			.120	B19WX-R250
3"	B19WX-R300			
4"	3.00			.083

